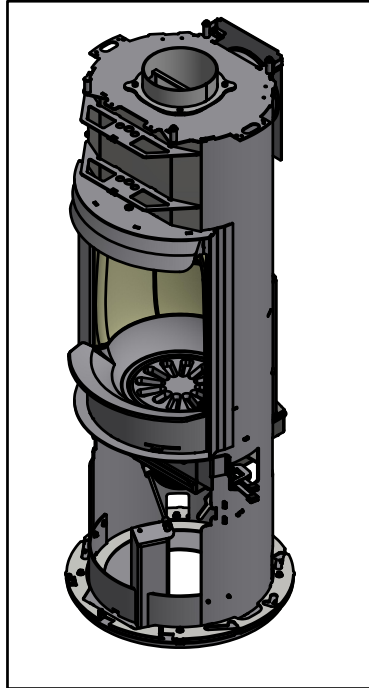


Spare parts: Scan 84, Classic

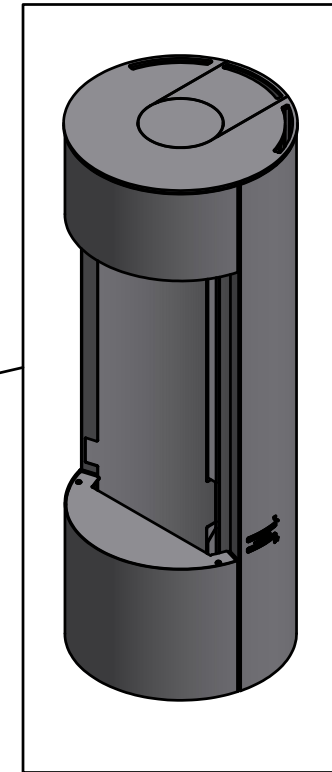
Korpus

Page: 2-7

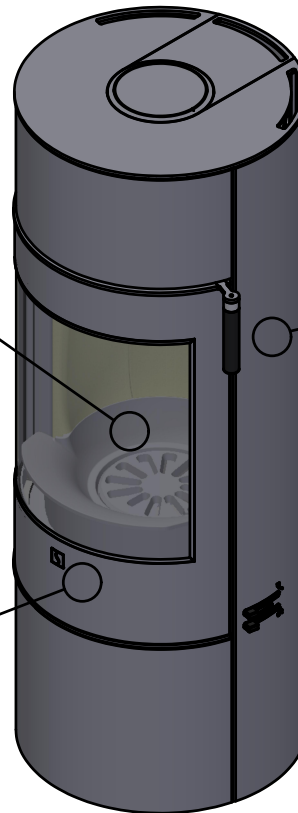
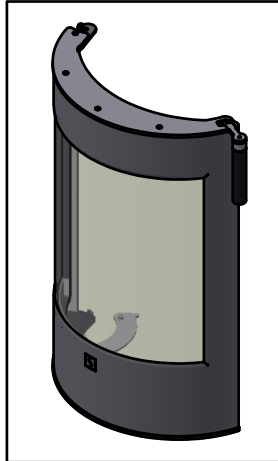


Mantle

Page: 9

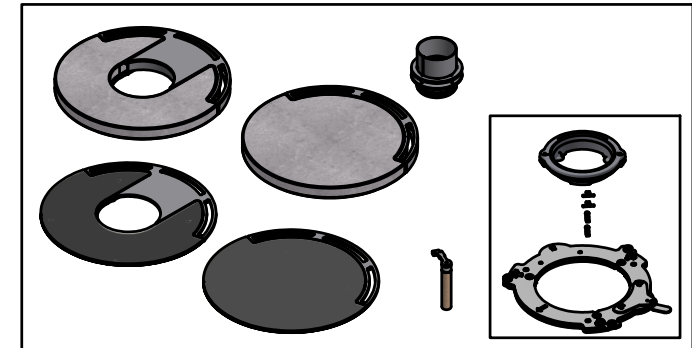


Classic door Page: 8



Accessories

Page: 10-11



Date: 29-06-2022

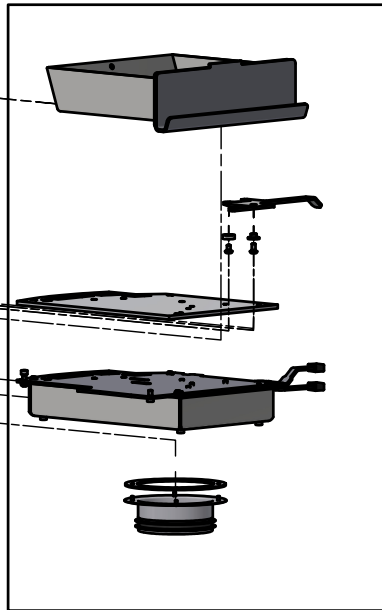
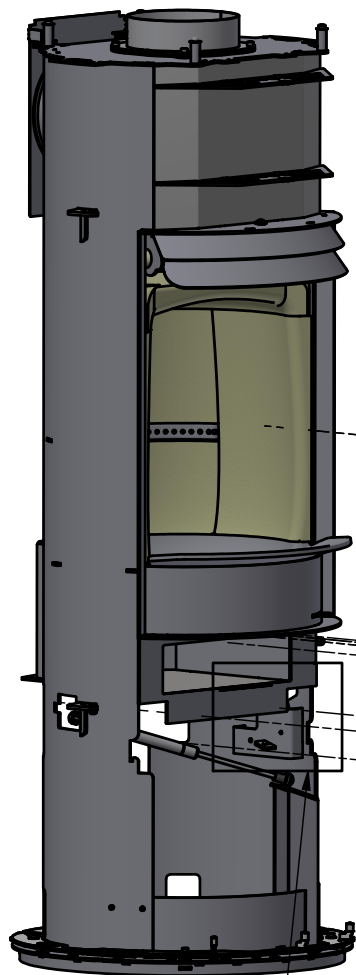
Constructed /Changed by: rin/sr

Drawing number: 90184102

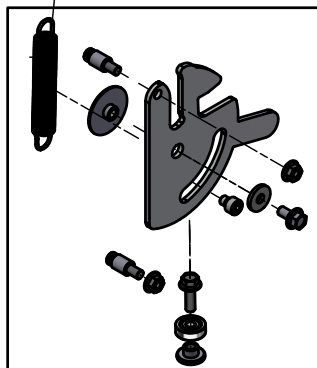
SCAN A/S
DK-5492 Vissenbjerg©



Spare parts: Scan 84, Classic

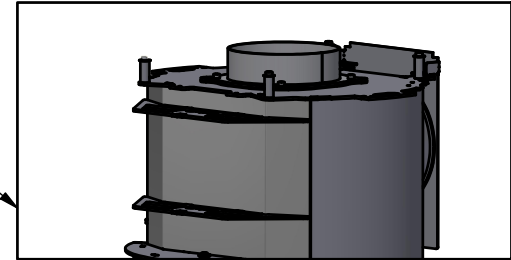


Page 3

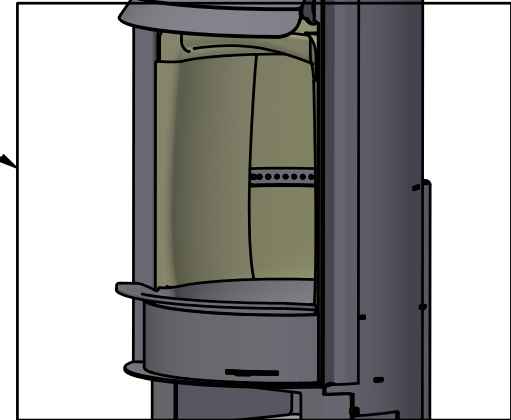


Page 4

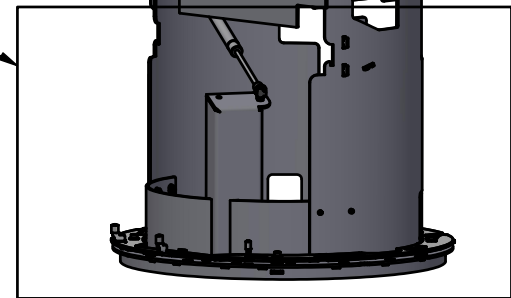
Page 5



Page 6



Page 7



Date: 29-06-2022

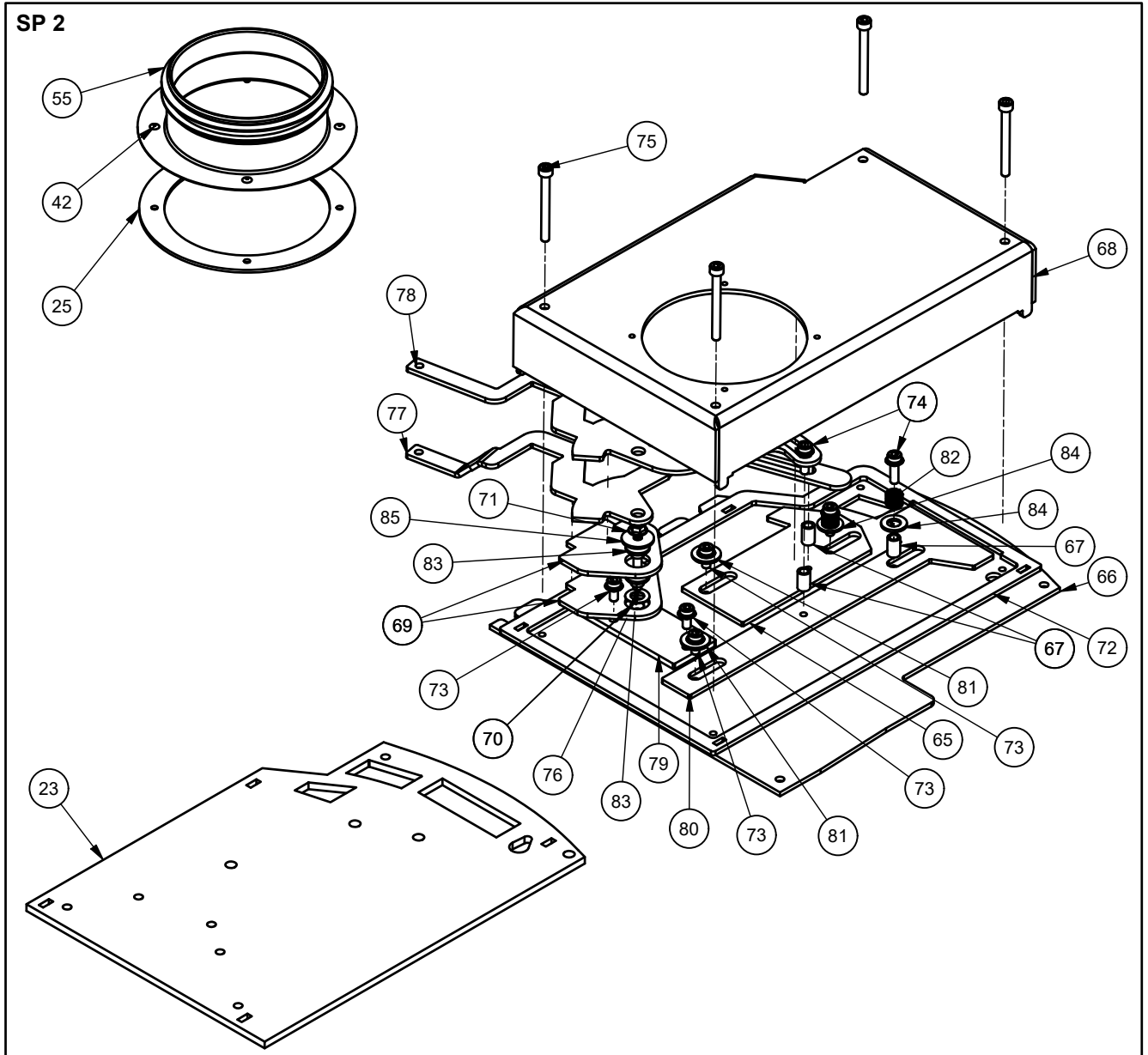
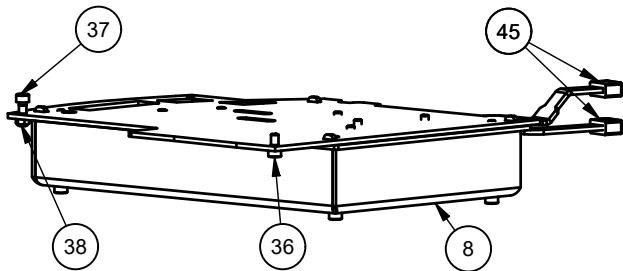
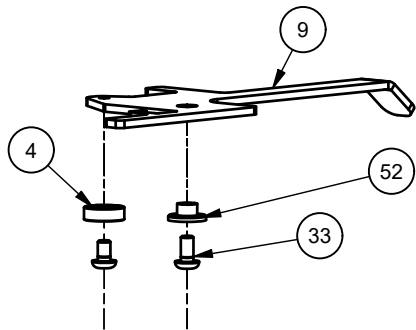
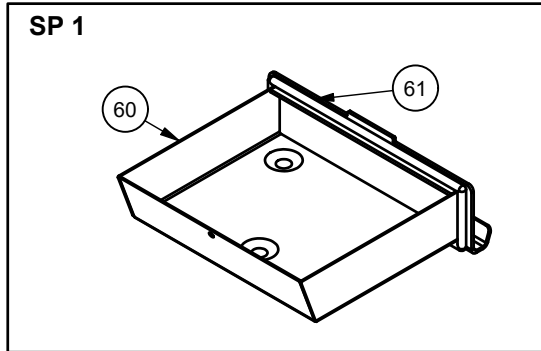
Constructed /Changed by: rin/sr

Drawing number: 90184102

SCAN A/S
DK-5492 Vissenbjerg©

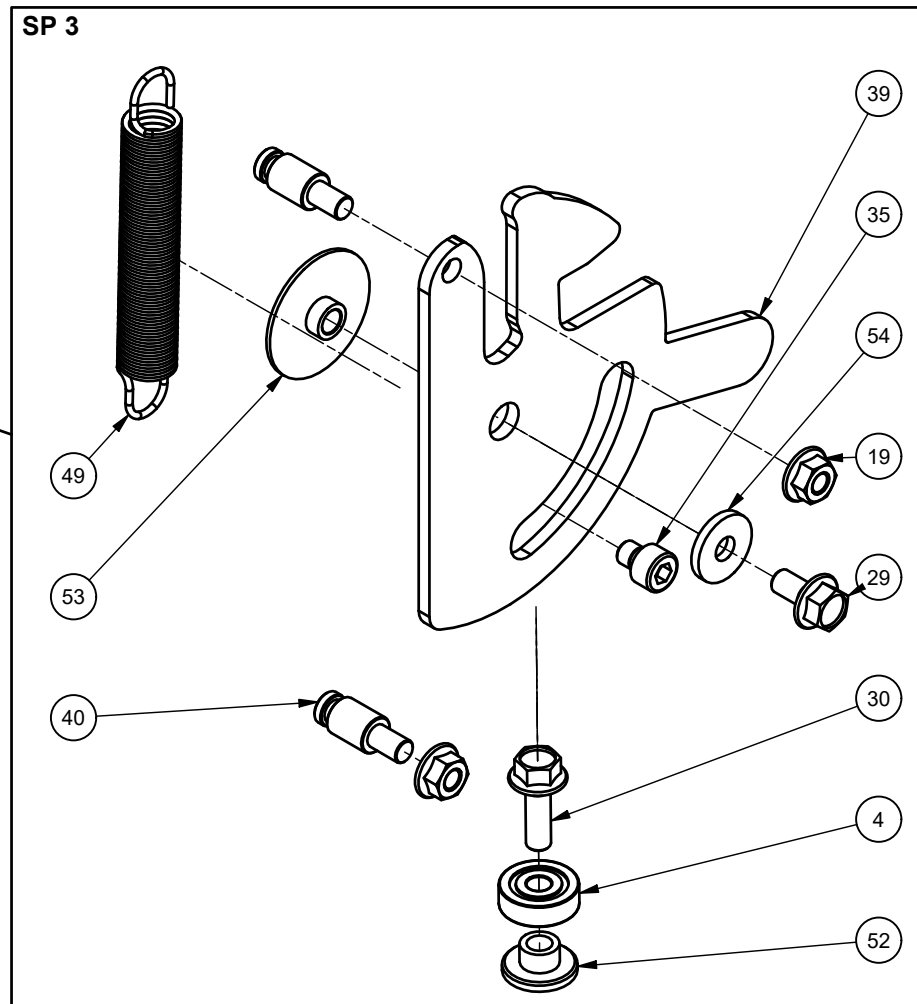
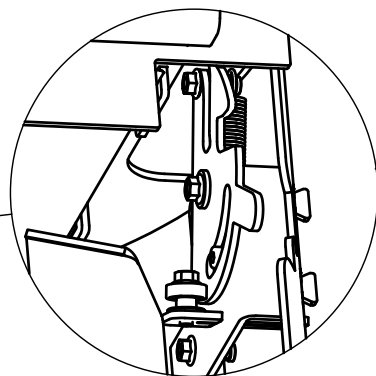
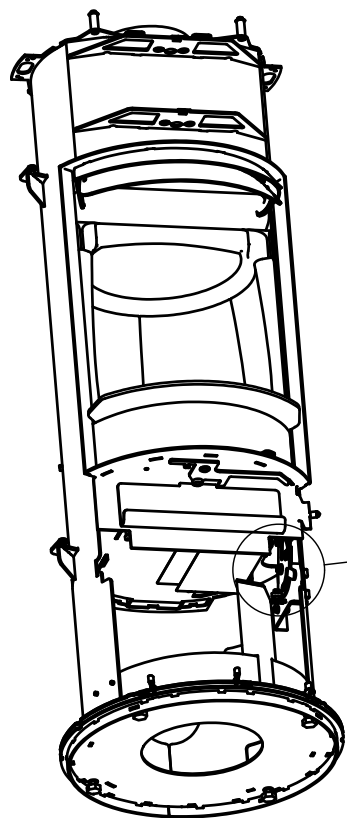


Spare parts: Scan 84, Classic



Date: 29-06-2022	Constructed /Changed by: rin/sr	SCAN A/S DK-5492 Vissenbjerg©
Drawing number: 90184102		





Date: 29-06-2022

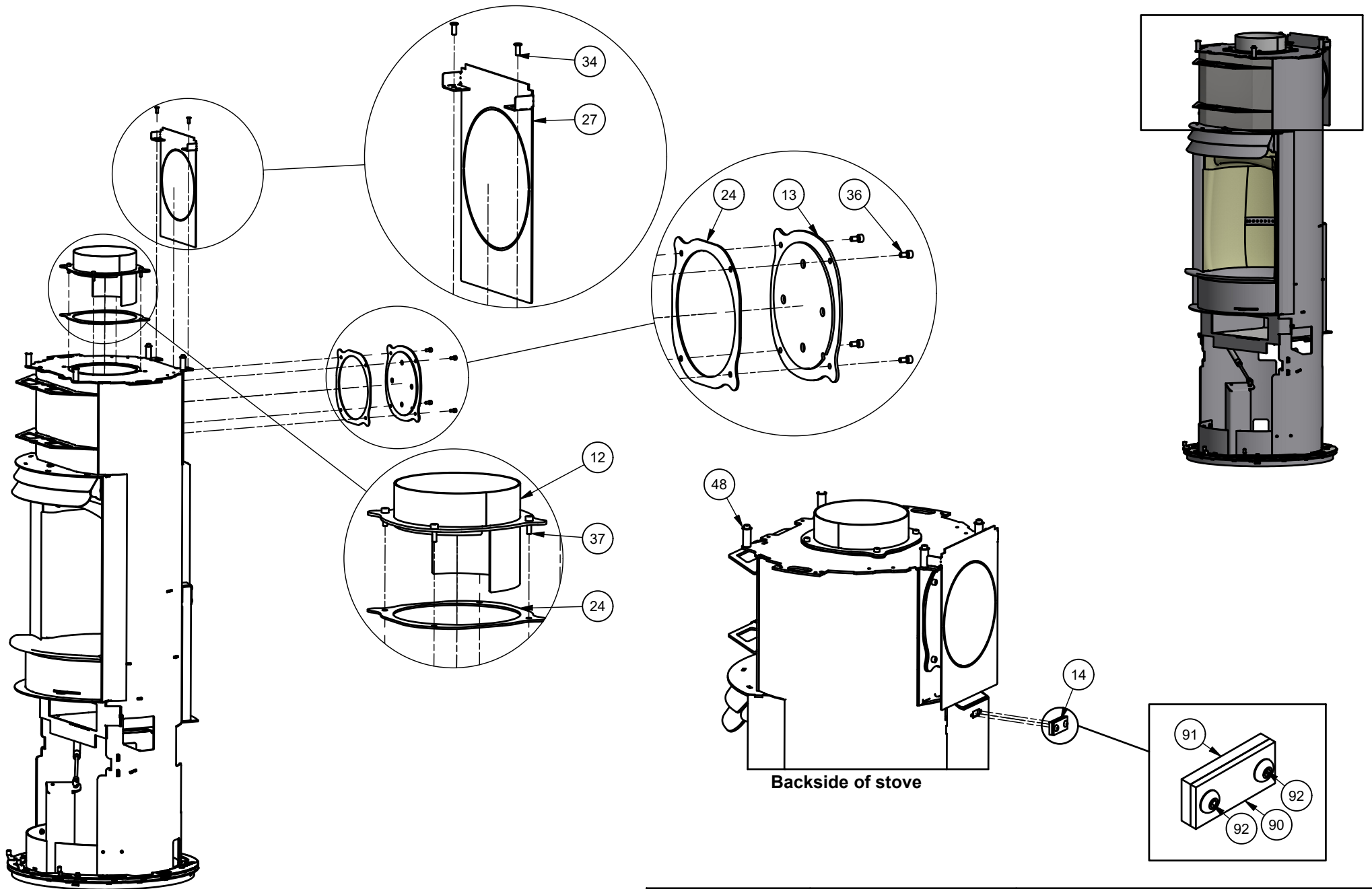
Constructed /Changed by: rin/sr

Drawing number: 90184102

SCAN A/S
DK-5492 Vissenbjerg©



Spare parts: Scan 84, Classic

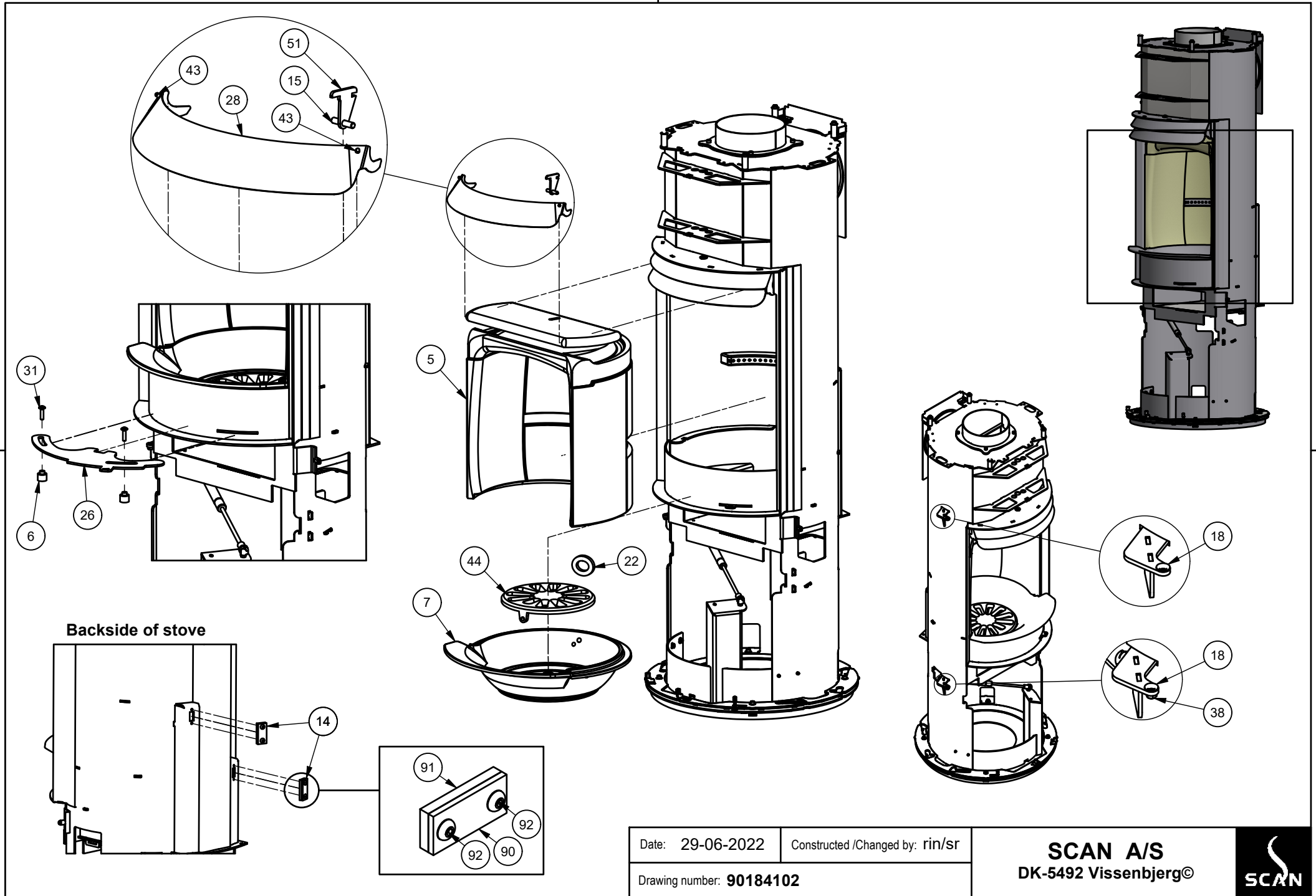


Date: 29-06-2022	Constructed /Changed by: rin/sr
Drawing number: 90184102	

SCAN A/S
DK-5492 Vissenbjerg©



Spare parts: Scan 84, Classic



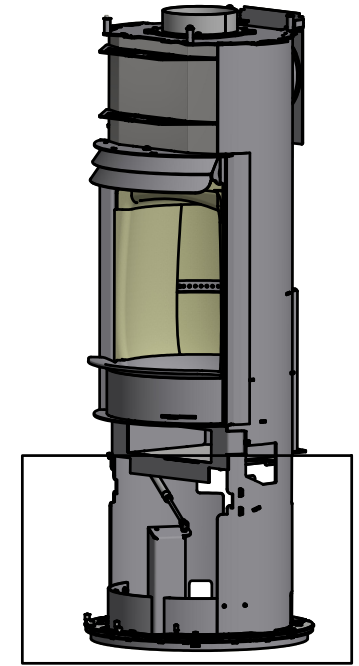
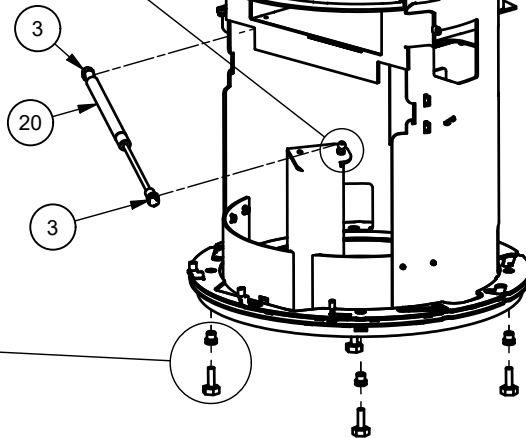
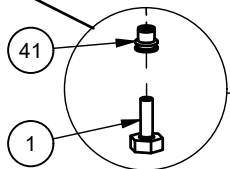
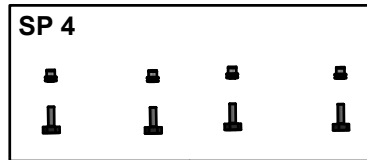
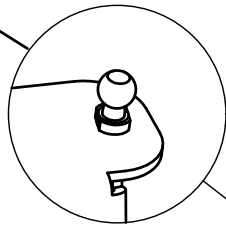
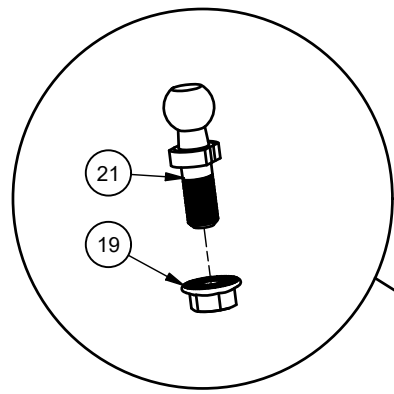
Backside of stove

Date: 29-06-2022	Constructed /Changed by: rin/sr
Drawing number: 90184102	

SCAN A/S
DK-5492 Vissenbjerg©



Spare parts: Scan 84, Classic

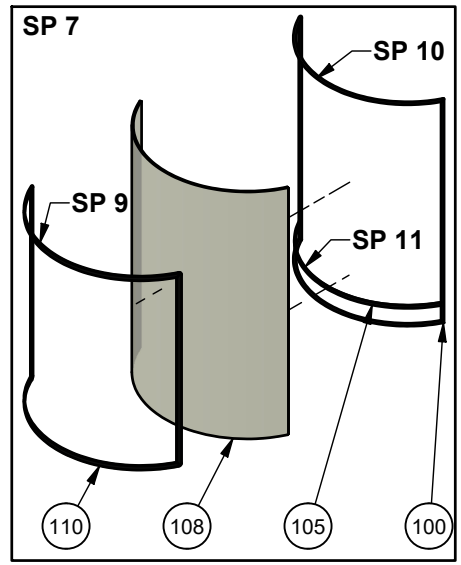
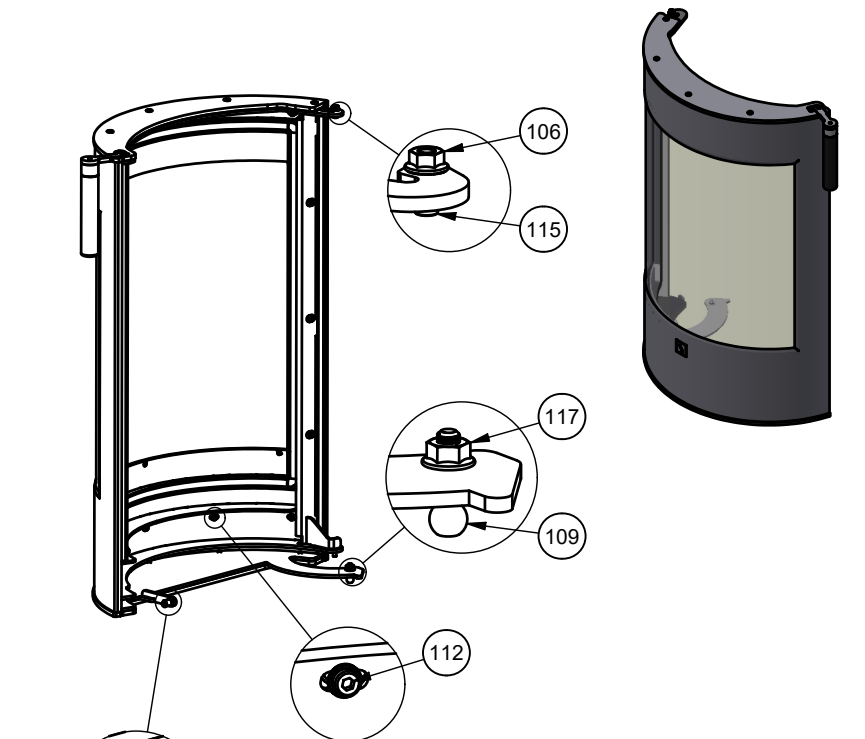
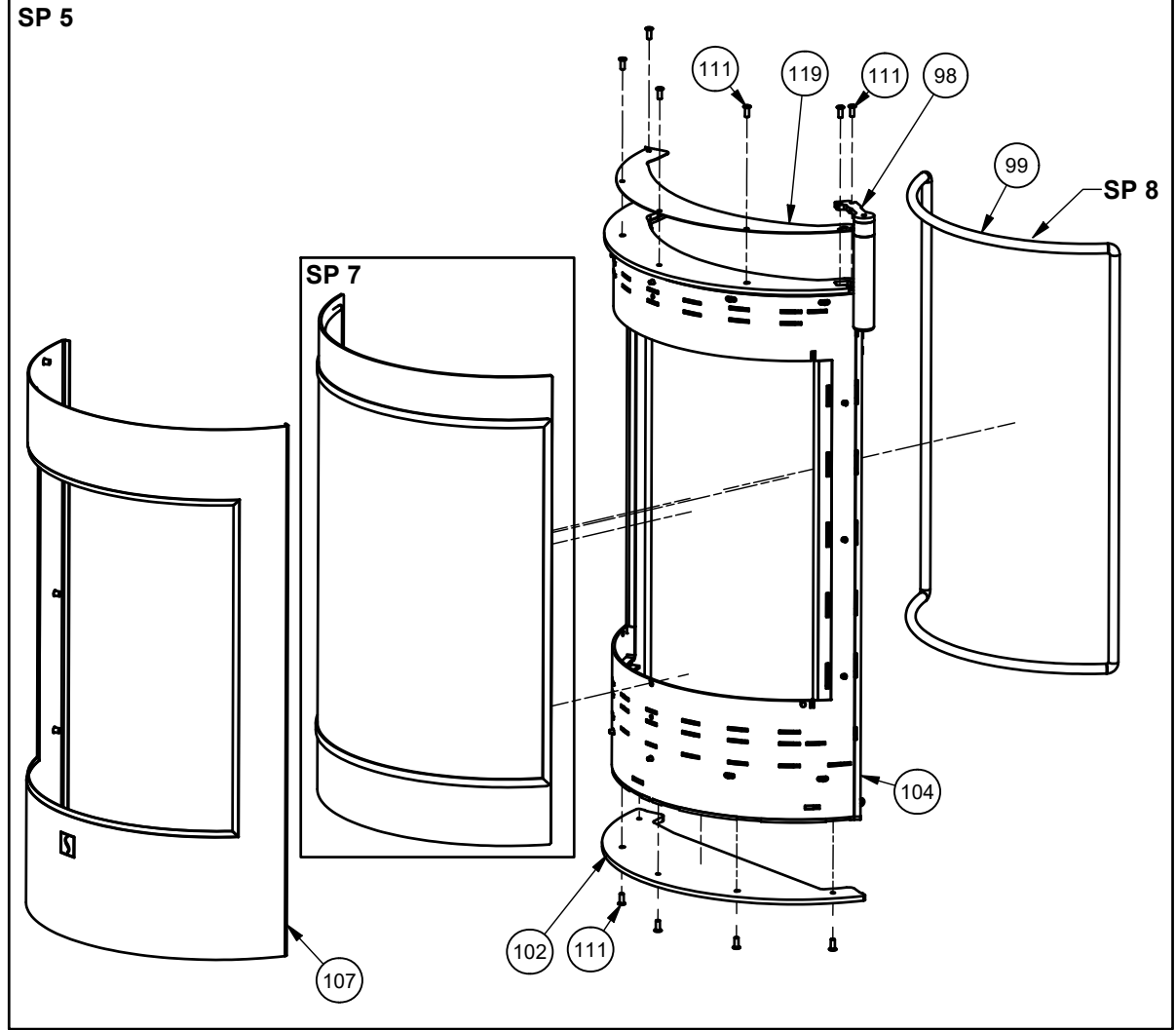


Date: 29-06-2022	Constructed /Changed by: rin/sr
Drawing number: 90184102	

SCAN A/S
DK-5492 Vissenbjerg©



Spare parts: Scan 84, Classic



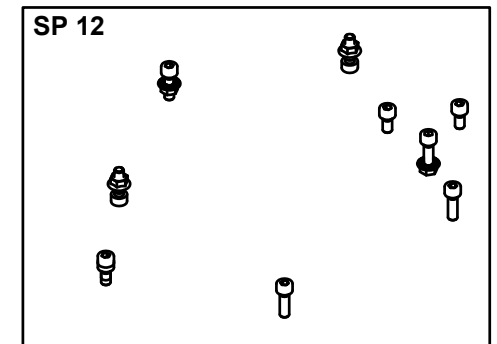
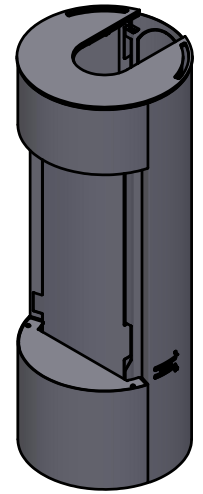
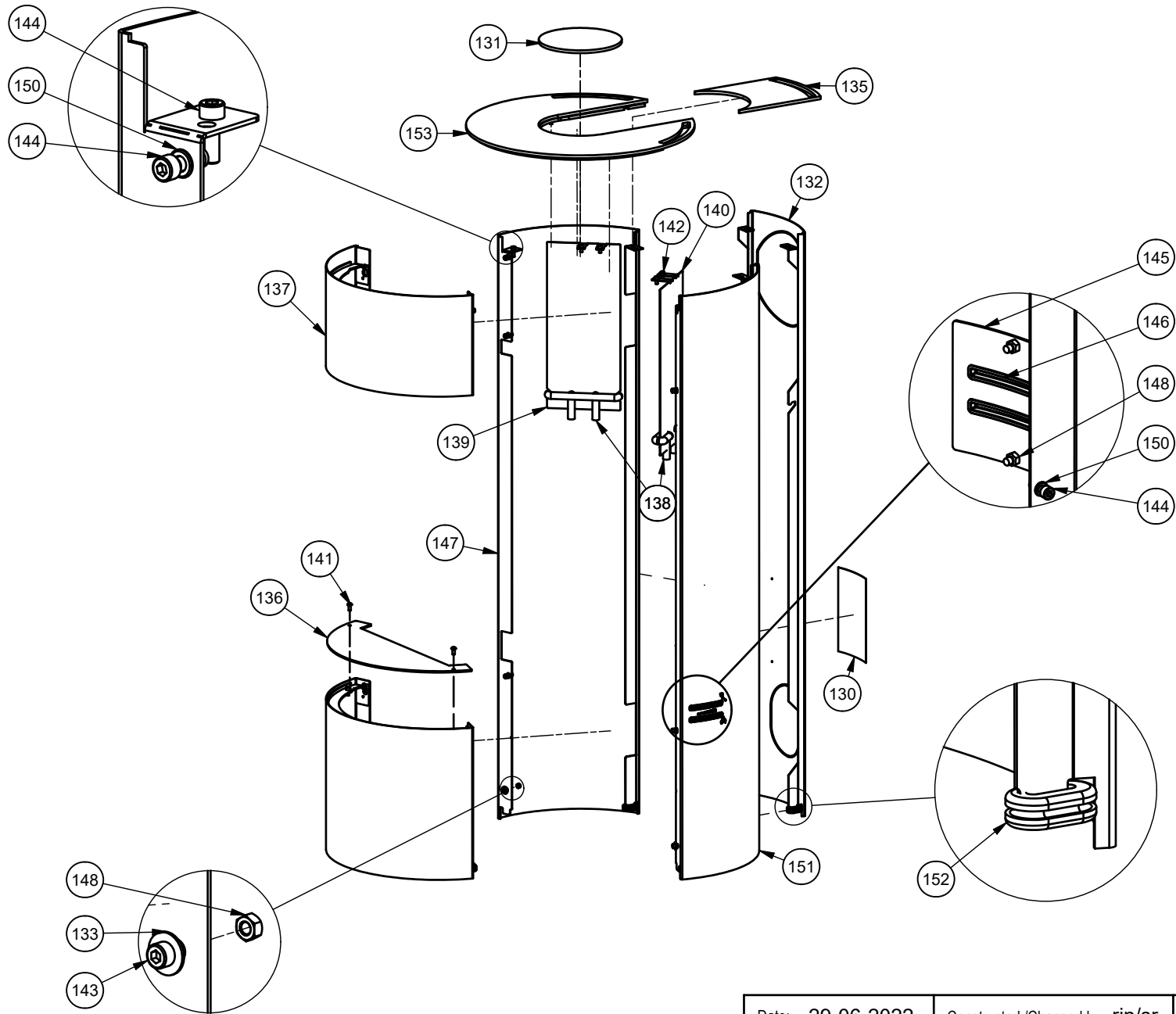
Date: 29-06-2022 Constructed /Changed by: rin/sr

Drawing number: 90184102

SCAN A/S
DK-5492 Vissenbjerg©



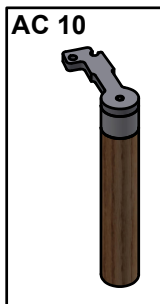
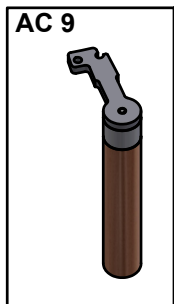
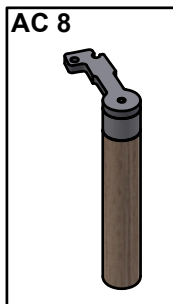
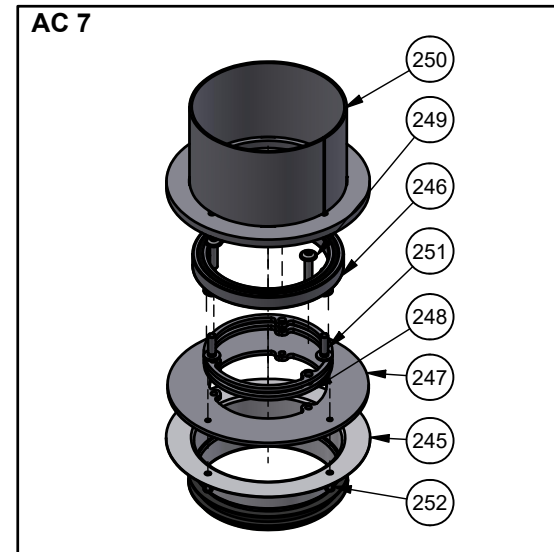
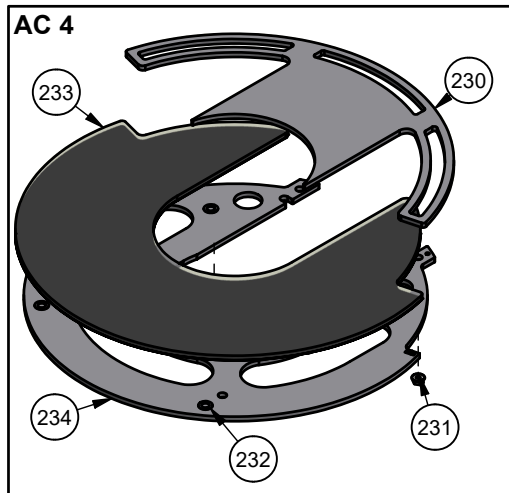
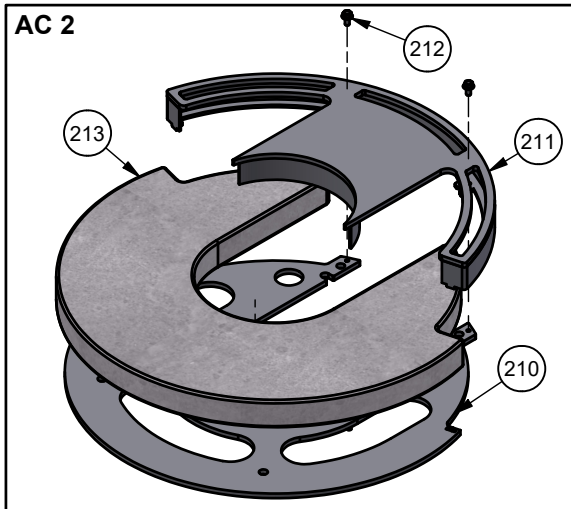
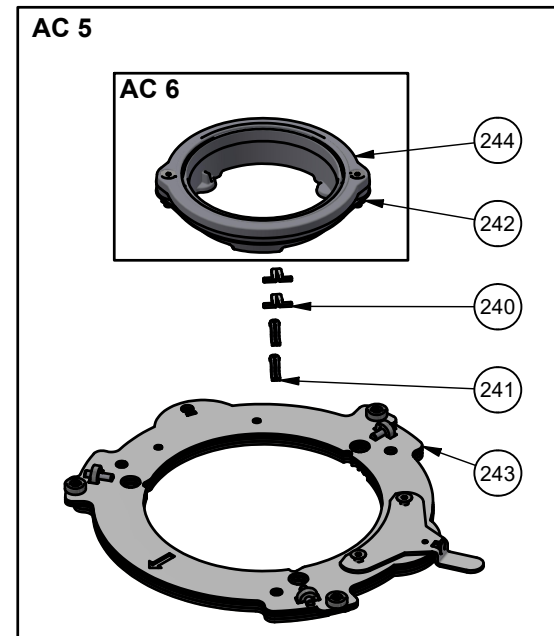
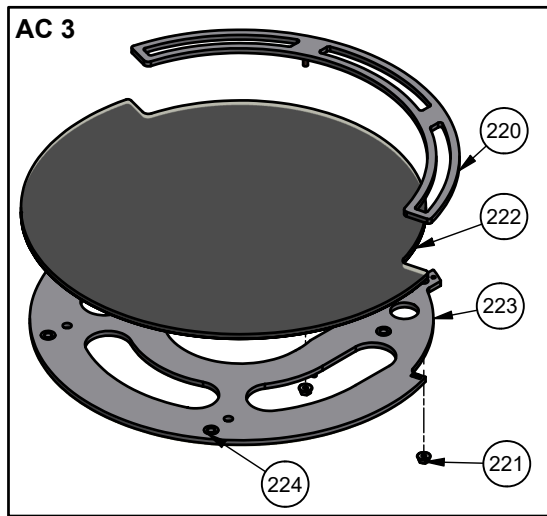
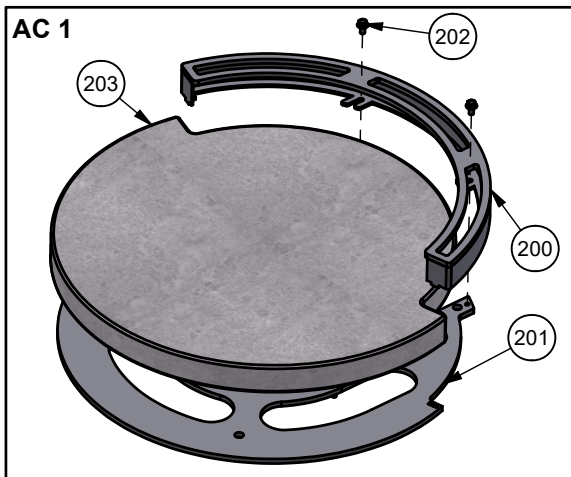
Spare parts: Scan 84, Classic



Date: 29-06-2022	Constructed /Changed by: rin/sr
Drawing number: 90184102	

SCAN A/S
 DK-5492 Vissenbjerg©

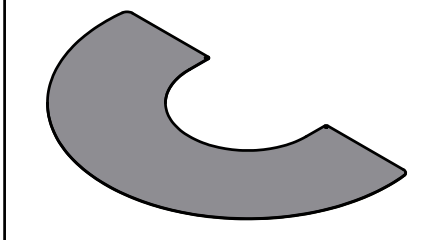




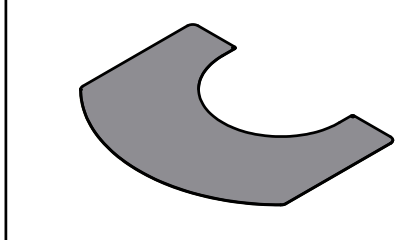
Date: 29-06-2022	Constructed /Changed by: rin/sr	SCAN A/S DK-5492 Vissenbjerg©
Drawing number: 90184102		



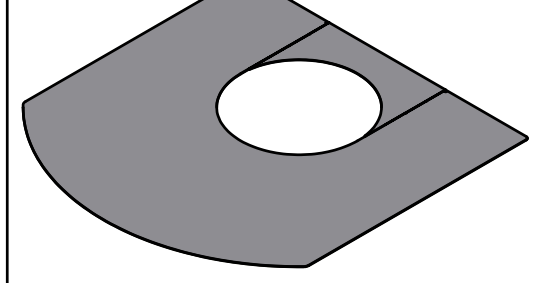
AC11



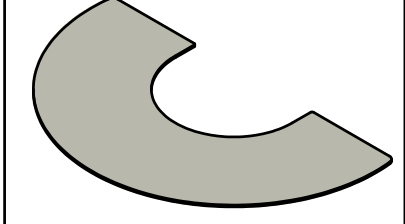
AC12



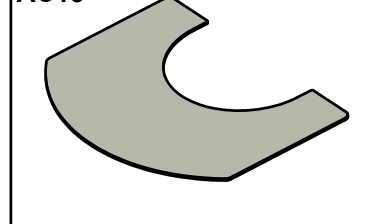
AC13



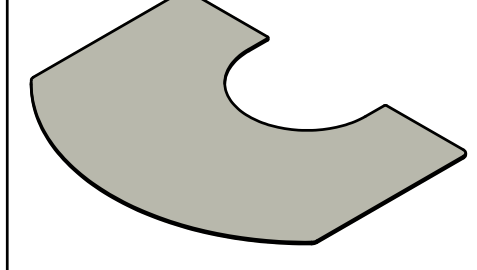
AC14



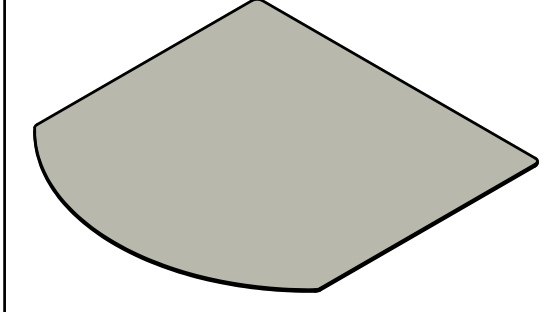
AC15



AC16



AC17



Date: 29-06-2022

Constructed /Changed by: rin/sr

Drawing number: 90184102

SCAN A/S
DK-5492 Vissenbjerg©



Spare parts: Scan 84, Classic

Korpus Scan 84-1/2

POS.	ART. NO.	SALES NO.	NAME	LEGTH	QTY.
1	10045969		Adjustment screw 19x19 - M8 x 30		4
2		51046852	Ash drawer		1
3	10046005		Ball head M6, Ø10 (item nr. 4597)		2
4	10007726		Bearing, SKF 625 - 2Z/C3 (ø16xø5x5mm)		2
5		51046796	Kit vermiculite		1
6	10045475		Bushing, handle for riddling grate		2
7		51046797	Castiron buttom		1
8	10060387		Closed combustion box		1
9	10058191		Closing lever for ash drawer		1
10	10059985		Combustion chamber, assembly		1
11	12054891		Connecting piece for tube inside. SC 83		1
12		51046851	Conneting piece, welded		2
13		51046855	Cover for flue outlet		2
14			Cover plate for cleaning the burnchamber		3
15	10045971		Cylinder pin ø6*30, stainless steel, A2		1
16	12059474		ECO-Label, Scan 84		1
17	12060996		ECO-Label, Scan 84 UK		1
18	10004960		Flangebushing LEPCMF 06084 B		2
19	10004953		Flangenut w. ripp M5 (DIN 6923)		3
20		51046817	Gas spring SC 83/84		1
21		51046819	Gasdamper attachment		1
22		51046914	Gasket for cast iron buttom		1
23	10045966		Gasket for combustion box, ceramic paper		1
24		51046849	Gasket for connectingpiece		2
25	10046125		Gasket for fresh air adapter		1
26	10059730		Handle for riddling grate		1
27	12061031		Heat shield		1
28	10046446		Heat shield for air lib		1
29	10004753		Hex head screw with flange, M5 x 10, black		1
30	10004788		Hex head screw with flange, M5 x 16, black		1
31	10004798		Hex socket button head w. flange, M5 x 20		2
32	10004791		Hex socket button head, M5 x 8 (quality 10.9)		1
33	10004783		Hex socket button head, M5 x 10		1
34	10059742		Hex socket flat head, M5 x 12, black		2
35	10004805		Hex socket head cap, M5 x 6		1
36	10004816		Hex socket head cap, M5 x 10, black		9
37	10004838		Hex socket head cap, M5 x 16, black		5

Date: 29-06-2022

Constructed /Changed by: rin/sr

Drawing number: 90184102

SCAN A/S
DK-5492 Vissenbjerg©



Spare parts: Scan 84, Classic

POS.	ART. NO.	SALES NO.	NAME	LEGTH	QTY.
38	10007642		Lock nut M5, metal		2
39	10058190		Locking device for door (dolphin)		1
40	10046276		Pin for closingspring		2
41	10045630		Popnut M8 (for sheet thickness 3,0 - 5,5 mm)		4
42	10007617		Poprivet M3,2 x 7,9		4
43	10007632		Poprivet ø4 x 8 stainless steel		2
44		51005837	Riddling grate, upper part, drilled		1
45		51061421	silicone button for damper (SH60)		2
46	20061015		Silicone tube Ø8/Ø4*11		1
47	12062226		Silicone tube Ø8/Ø4x11		3
48	10059983		Silicone washer Ø15 x 8,5 x 0,5		4
49		51046818	Spring (SF-DF-3438-Lesjofors)		1
50	10004954		Spring washers, curved, ø8/Ø15x0,5 HFC 1245		1
51		51046847	Support piece for baffle plate		1
52	10004626		Valve holder (center) Ø8/15x4,5		2
53	10046273		Washer for dolphin lock		1
54	10007709		Washer, M5, wo. fazet FZB		1
55	10003146		ø100 Sleeve with flange		1

SP 1: Ash drawer: 51046852

POS.	ART. NO.	SALES NO.	NAME	LEGTH	QTY.
60	10058189		Welded ash tray		1
61	10004744		Black knitted glass rope, ø8		1

SP 2: Closed combustion box: 51061491

POS.	ART. NO.	SALES NO.	NAME	LEGTH	QTY.
65			Attachment for primary damper		1
66			Bottomplate for closed combustion box		1
67	10038025		Bushing for springloaded damper Ø7,9x12,5		4
70	10004954		Bushing spring, supported valve, HFC 1245		2
68			Combustion box		1
69	10046122		Damper gasket SC 83		2
71	10004953		Flangenut w. ripp M5 (DIN 6923)		1
72	10046123		Gasket for closed combustion box		1
73	10049333		Hex socket head cap w. flange, M5 x 10, black		4
74	10049335		Hex socket head cap w. flange, M5 x 16, black		4
75	10007710		Hex socket head cap, M5 x 50, FZB (DIN 912)		4
76	10046398		Pinol M5 x 25 (DIN 551/BN 427)		1
77			Primary damper		1

Date: 29-06-2022

Constructed /Changed by: rin/sr

Drawing number: 90184102

SCAN A/S
DK-5492 Vissenbjerg©



Spare parts: Scan 84, Classic

POS.	ART. NO.	SALES NO.	NAME	LEGTH	QTY.
78			Secondary damper		1
79			Spacer for primary damper		1
80			Spacer for secondary damper		1
81	10004627		Spacer washer Ø8/18x3,3		2
82	10038031		Spring for dampers (Di=8,3 - Lo=12 - Dt=1)		2
83	10004626		Valve holder (center) Ø8/15x4,5		2
85	10046397		Washer ø5,3/20 x 1,5 (HV140)		1
84	10008004		Washer Ø8/Ø16*1.5 (DIN 125 A)		2

SP 3: Spare part kit, Locking mechanism: 51061261

Cover plate

POS.	ART. NO.	SALES NO.	NAME	LEGTH	QTY.
90	10058090		Cover plate		1
91	12055192		Gasket to cover plate		1
92	10004791		Hex socket button head, M5 x 8 (quality 10.9)		2

SP 4: Spare part kit, Set with 4 screws: 51046856

SP 5: Classic door: 51061463 BLACK PAINT

SP 5: Classic door: 51061464 GRAY PAINT

POS.	ART. NO.	SALES NO.	NAME	LEGTH	QTY.
98		51061380	Assembly for wood handle, black		1
99	10043740		Black cord Ø14 (hard)	2,5 m	1
100	10045943		Black cord, 6 mm w. tape		1
101	10046274		Bottom hinge pin for door		1
102	12061024		Bottom list, classic / modern door		1
103	10038034		Bronze bushing, Ø6/Ø9*10		1
104	10059989		Door, welded (classic)		1
105	10048732		Fiberglass robe w. tape Ø8	0,5 m	1
106	10004953		Flangenut w. ripp M5 (DIN 6923)		2
107		51061461	Front for steeldoor bolt welded BP		1
107		51061462	Front for steeldoor bolt welded GP		1
108	10059747		Front glass (classic door)		1
109		51046819	Gasdamper attachment		1
110	10007912		Glass gasket w. glue, 2x10mm, black		1
111	10059742		Hex socket flat head, M5 x 12, black		11
112	10046770		Hex socket head cap screw w. flange, M4x8 (BN 1392) Black Coated		13
113	10060657		Hex socket head cap, M4 x 8		3

Date: 29-06-2022

Constructed /Changed by: rin/sr

Drawing number: 90184102

SCAN A/S
DK-5492 Vissenbjerg©



Spare parts: Scan 84, Classic

POS.	ART. NO.	SALES NO.	NAME	LEGTH	QTY.
114	10004799		Hex socket set screws M5 x 5		1
115	10043926		Hinge pin for door		1
116	10046272		Locking pin for door		1
117	10007639		M6 FL.nut Din 6923 galvanized Steel 8		1
118	10038086		Snap ring, DIN 6799 - Ø4 from magasin		1
119	12061028		support plate door top		1
120	12061026		Top list, classic / modern door		1

SP 6: Spare part kit, Locking pin for door: 51049129

SP 7: Spare part kit, Glass, Classic door: 51062178

POS.	ART. NO.	SALES NO.	NAME	LEGTH	QTY.
100	10045943		Black cord, 6 mm w. tape		1
105	10048732		Fiberglass robe w. tape Ø8	0,5 m	1
108	10059747		Front glass (classic door)		1
110	10007912		Glass gasket w. glue, 2x10mm, black		1

SP 8: Black cord Ø14 (hard), 3 m: 51044383

SP 9: Glass gasket w. glue, 2x10mm, black, 3 m: 51037833

SP 10: Black cord, 6 mm w. tape, 3 m: 51046880

SP 11: Fiberglass robe w. tape Ø8, 3 m: 51049791

Mantle

POS.	ART. NO.	SALES NO.	NAME	LEGTH	QTY.
130	12059473		Approval label, Scan 84		1
131		51061455	Assembly, top cover for stove w. rear outlet, BP		1
131		51061456	Assembly, top cover for stove w. rear outlet, GP		1
131		51061457	Assembly, top cover for stove w. rear outlet, GWH		1
132		51061437	Back cover plate, low model, BP		1
132		51061438	Back cover plate, low model, GP		1
132		51061439	Back cover plate, low model,GWHP		1
133	10060929		Bushing for front cover bottom		2
134	10059985		Combustion chamber, assembly		1

Date: 29-06-2022

Constructed /Changed by: rin/sr

Drawing number: 90184102

SCAN A/S
DK-5492 Vissenbjerg©



Spare parts: Scan 84, Classic

POS.	ART. NO.	SALES NO.	NAME	LEGTH	QTY.
136		51046799	Cover plate for lower front mantle		1
135	12061048		Cover plate, BP		1
135			Cover plate, GP		1
135			Cover plate, GWH		1
137		51061428	front mantle top, BP		1
137		51061429	front mantle top, GP		1
137		51061430	front mantle top, GWH		1
138	10043740		Glass gasket ø14 (hard), black	0,4 m	2
139	12061030		Heat shield left		1
140	12061029		Heat shield right		1
141	10004801		Hex socket button head, M5 x 12, ISO 7380-1 steel 010.9		2
142	10004816		Hex socket head cap, M5 x 10, black		4
143	10004812		Hex socket head cap, M5 x 12		4
144	10004838		Hex socket head cap, M5 x 16, black		8
145	12061039		holds plate for plastic insert		1
146		51061420	Insert for damperhandles		1
147		51061446	Left cover plate, BP		1
147		51061447	Left cover plate, GP		1
147		51061448	Left cover plate, GWH		1
148	10007642		Lock nut M5, metal		4
149		51061422	Lower front cover, assembly, BP		1
149		51061423	Lower front cover, assembly, GP		1
149		51061424	Lower front cover, assembly, GWH		1
150	10046280		Popnut M5x12,3		6
151		51061449	Right cover plate, low model welded, BP		1
151		51061450	Right cover plate, low model welded, GP		1
151		51061451	Right cover plate, low model welded, GWH		1
152	10045985		Rubber grommet 19/27/33/3		4
153		51061452	Welded parts for top plate, BP		1
153		51061453	Welded parts for top plate, GP		1
153		51061454	Welded parts for top plate, GWH		1

SP 12: Spare part kit, Sparepart kit Screws bolts: 51061518

Date: 29-06-2022

Constructed /Changed by: rin/sr

Drawing number: 90184102

SCAN A/S
DK-5492 Vissenbjerg©



AC 1: Compl. Top for soapstone rear: 51061131 BLACK PAINT
Compl. Top for soapstone rear: 51061499 GRAY PAINT
Compl. Top for soapstone rear: 51061500 WHITE PAINT

POS.	ART. NO.	SALES NO.	NAME	LEGTH	QTY.
202	10004753		Hex head screw with flange, M5 x 10, black		2
203	50060392		soapstone top for rear exit		1
200	12061138		Soapstone top, back exit welded		1
201	12061135		Underlay plate for top plate, welded		1

AC 2: Compl. Top for soapstone top outlet: 51061134 BLACK PAINT
Compl. Top for soapstone top outlet: 51061505 GRAY PAINT
Compl. Top for soapstone top outlet: 51061506 WHITE PAINT

POS.	ART. NO.	SALES NO.	NAME	LEGTH	QTY.
212	10004753		Hex head screw with flange, M5 x 10, black		2
213	50060391		soapstone top		1
211	12061139		Soapstone top, top exit welded		1
210	12061135		Underlay plate for top plate, welded		1

AC 3: Compl. Topplate for glass rear: 51061132 BLACK PAINT
Compl. Topplate for glass rear: 51061501 GRAY PAINT
Compl. Topplate for glass rear: 51061502 WHITE PAINT

POS.	ART. NO.	SALES NO.	NAME	LEGTH	QTY.
220	12061137		bolt welded top, back exit		1
221	10007639		M6 FL.nut Din 6923 galvanized Steel 8		2
222	10059991		W.glass rear top		1
223	12061135		Underlay plate for top plate, welded		1
224	10059983		Silicone washer Ø15 x 8,5 x 0,5		4

AC 4: Compl. Topplate for glass top outlet: 51061133 BLACK PAINT
Compl. Topplate for glass top outlet: 51061503 GRAY PAINT
Compl. Topplate for glass top outlet: 51061504 WHITE PAINT

POS.	ART. NO.	SALES NO.	NAME	LEGTH	QTY.
230	12061136		bolt welded top exit plate		1
231	10007639		M6 FL.nut Din 6923 galvanized Steel 8		2
232	10059983		Silicone washer Ø15 x 8,5 x 0,5		4
233	10059992		Top plate glass		1
234	12061135		Underlay plate for top plate, welded		1

Date: 29-06-2022

Constructed /Changed by: rin/sr

Drawing number: 90184102

SCAN A/S
DK-5492 Vissenbjerg®



AC 5: Revolving kit: 51046363

POS.	ART. NO.	SALES NO.	NAME	LEGTH	QTY.
240	20046724		Lock for revolving base. SCAN 83		2
241	12060562		Lock for revolving base. SCAN 84		2
242	10007990		Nut M8, Black		2
243	10046744		Revolving base, mounted		1
244	12022058		Revolving connecting piece		1

AC 6: Revolving connecting piece: 51045366**AC 7: Fresh air adapter: 51061392**

POS.	ART. NO.	SALES NO.	NAME	LEGTH	QTY.
245	10003146		ø100 Sleeve with flange		1
246	10061112		Deep groove ball bearings single row with two low-friction seals SKF		1
247			Connector piece for second fresh air sleeve		1
248			Distance ring for fresh air adapter		2
249	10004798		Hex socket button head w. flange, M5 x 20		3
250			Welded parts for fresh air adapter		1
251	10004835		Hex socket button head w. flange, M5 x 16		4
252	10007617		Poprivet M3,2 x 7,9		4

AC 8:	Wood handle, white oak	51061103
AC 9:	Wood handle, mocca oak	51061104
AC 10:	Wood handle, golden oak	51061105
AC 11:	Small shaped floor plate, steel	51046364
AC 12:	Small shaped floor plate, corner, steel	51046365
AC 13:	Large floor plate, steel	51046366
AC 14:	Small shaped floor plate, glass	50046311
AC 15:	Small shaped floor plate, corner, glass	50046315
AC 16:	Large shaped floor plate, glass	50046313
AC 17:	Large floor plate, glass	50046312

Date: 29-06-2022

Constructed /Changed by: rin/sr

Drawing number: 90184102

SCAN A/S
DK-5492 Vissenbjerg©

