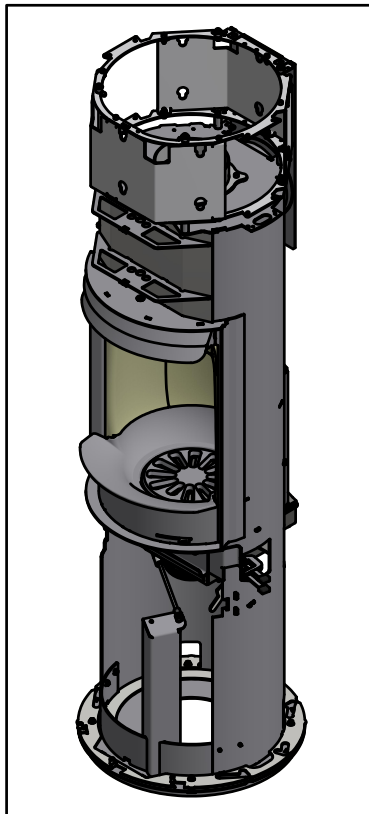
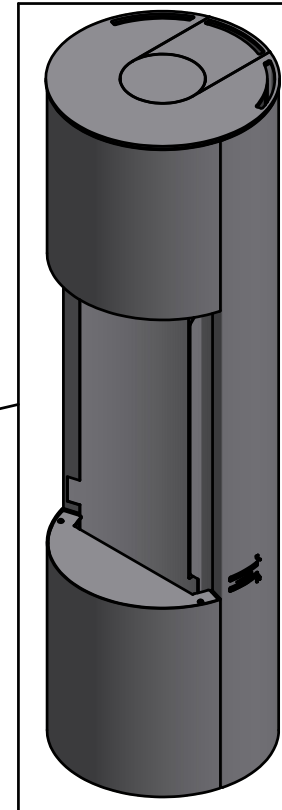


# Spare parts: Scan 84, Modern maxi

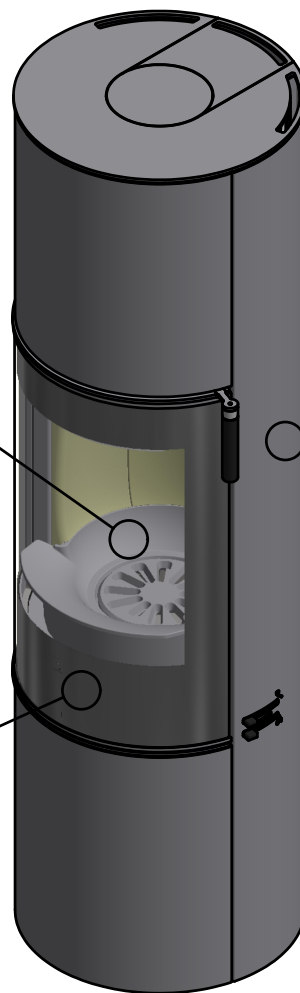
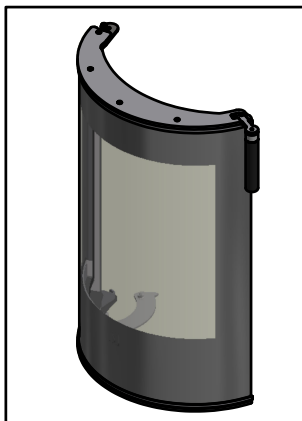
Korpus Page: 2-8



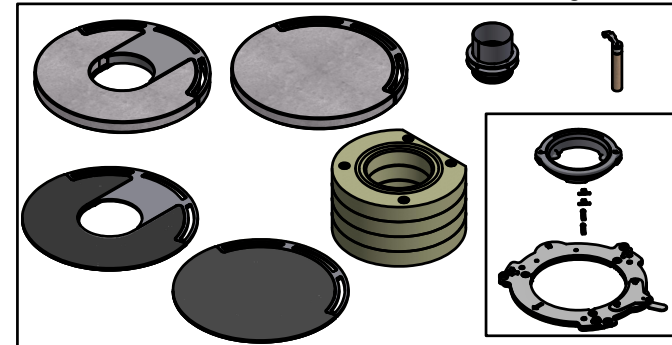
Mantle Page 10



Modern door Page: 9



Accessories Page: 11-12



Date: 29-06-2022

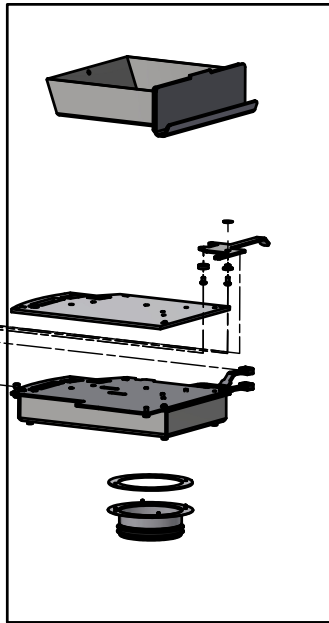
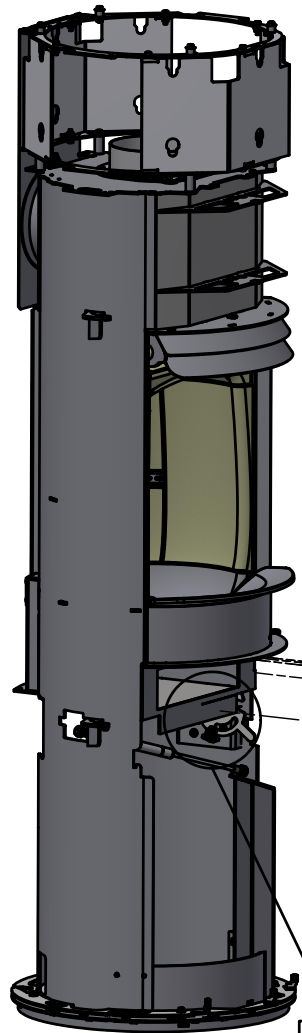
Constructed /Changed by: rin/sr

Drawing number: 90184103

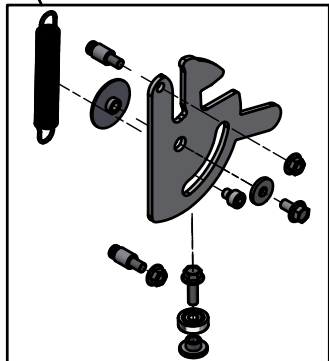
**SCAN A/S**  
DK-5492 Vissenbjerg©



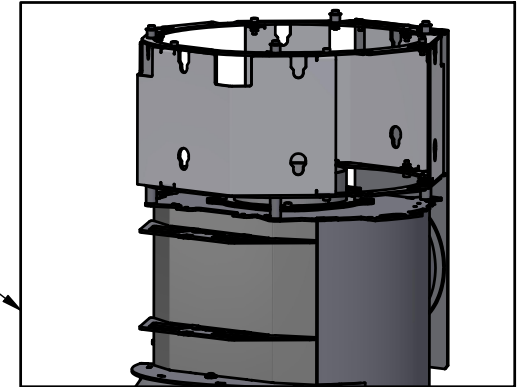
# Spare parts: Scan 84, Modern maxi



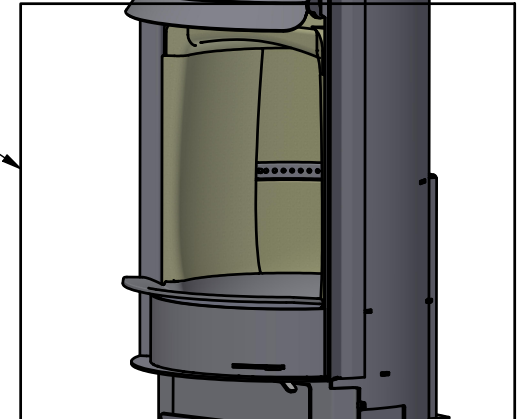
Page 3



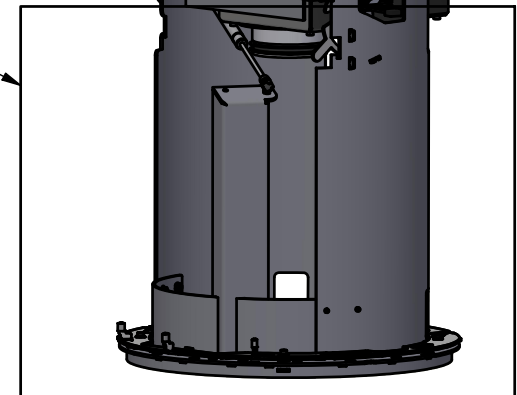
Page 4



Page 5



Page 6



Page 7

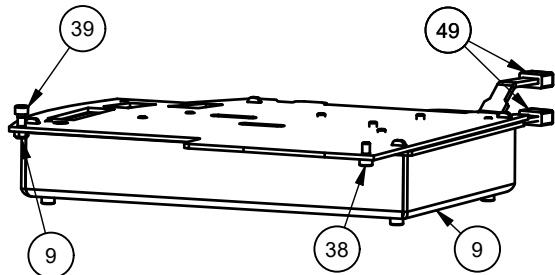
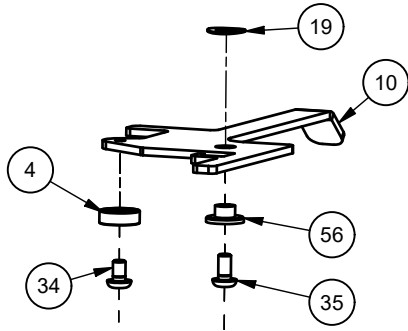
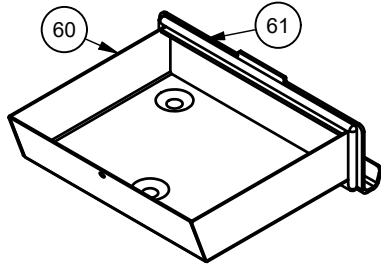
|                          |                                 |
|--------------------------|---------------------------------|
| Date: 29-06-2022         | Constructed /Changed by: rin/sr |
| Drawing number: 90184103 |                                 |

**SCAN A/S**  
DK-5492 Vissenbjerg©

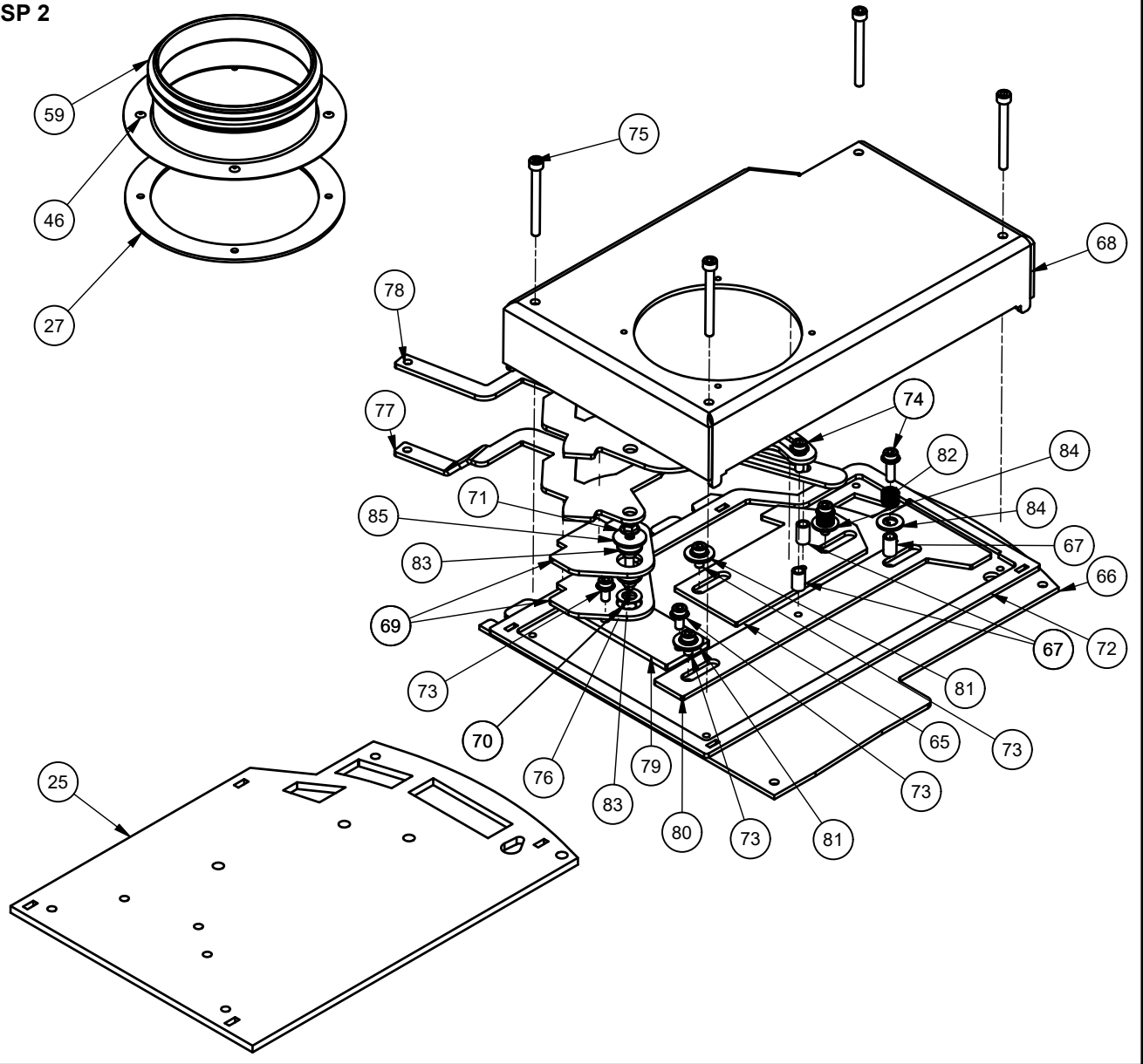
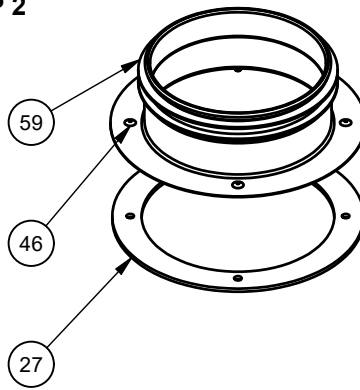


# Spare parts: Scan 84, Modern maxi

SP 1



SP 2



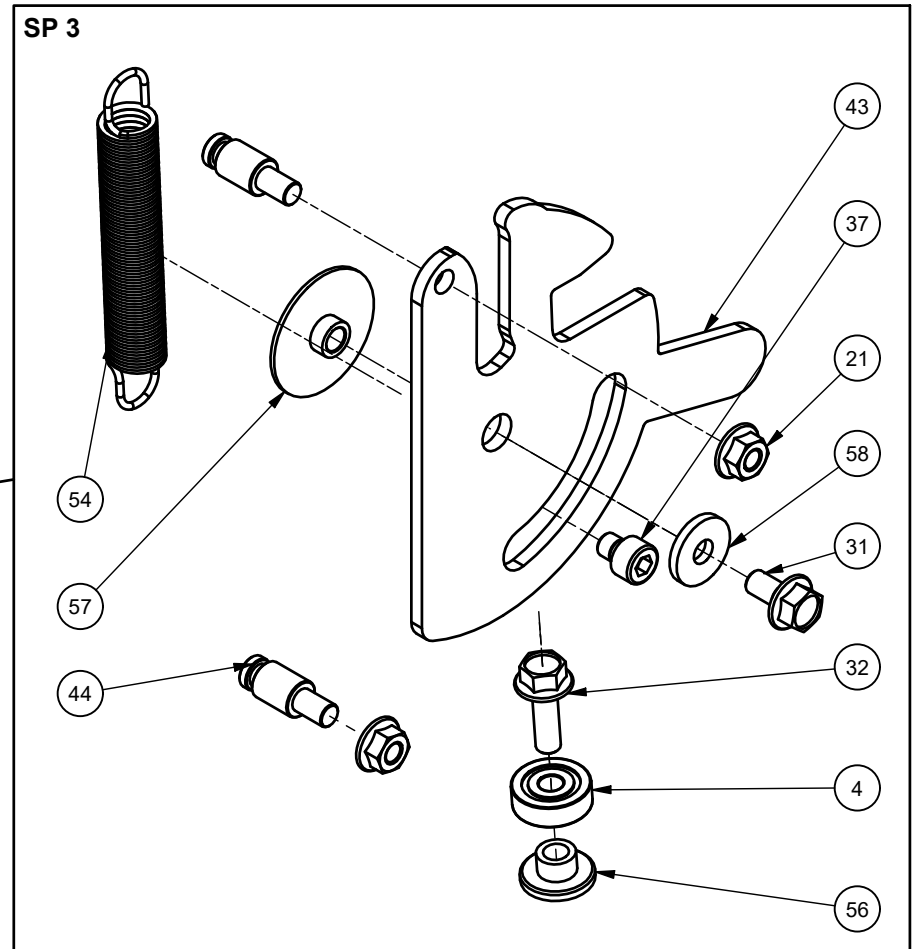
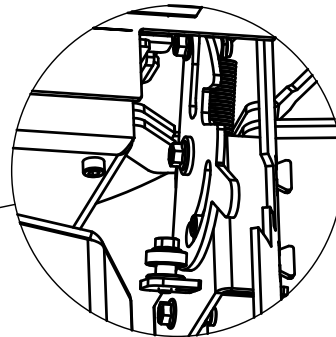
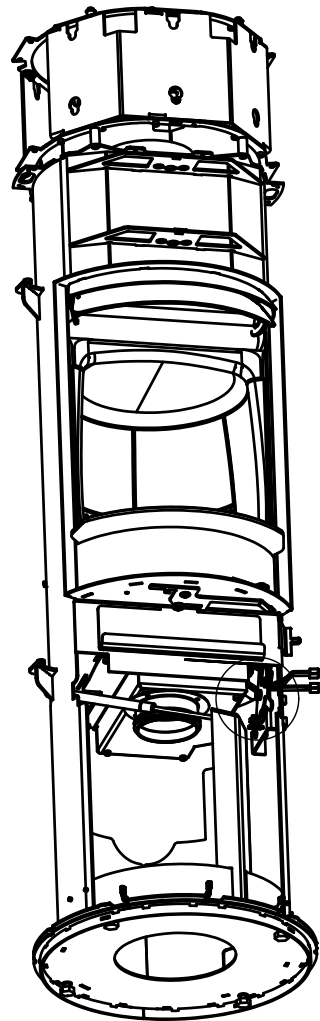
Date: 29-06-2022

Constructed /Changed by: rin/sr

Drawing number: 90184103

**SCAN A/S**  
DK-5492 Vissenbjerg©



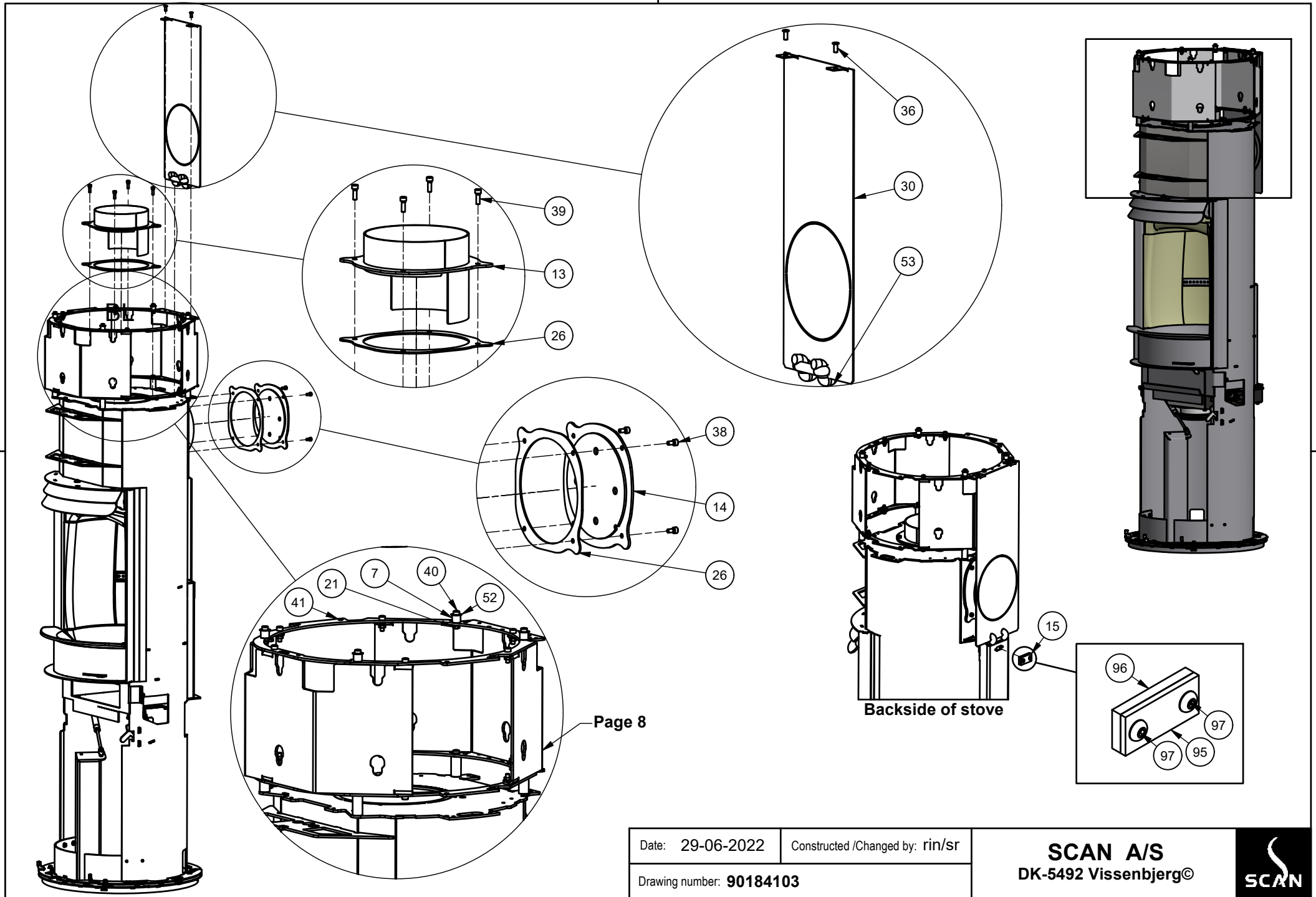


|                          |                                 |
|--------------------------|---------------------------------|
| Date: 29-06-2022         | Constructed /Changed by: rin/sr |
| Drawing number: 90184103 |                                 |

**SCAN A/S**  
DK-5492 Vissenbjerg©



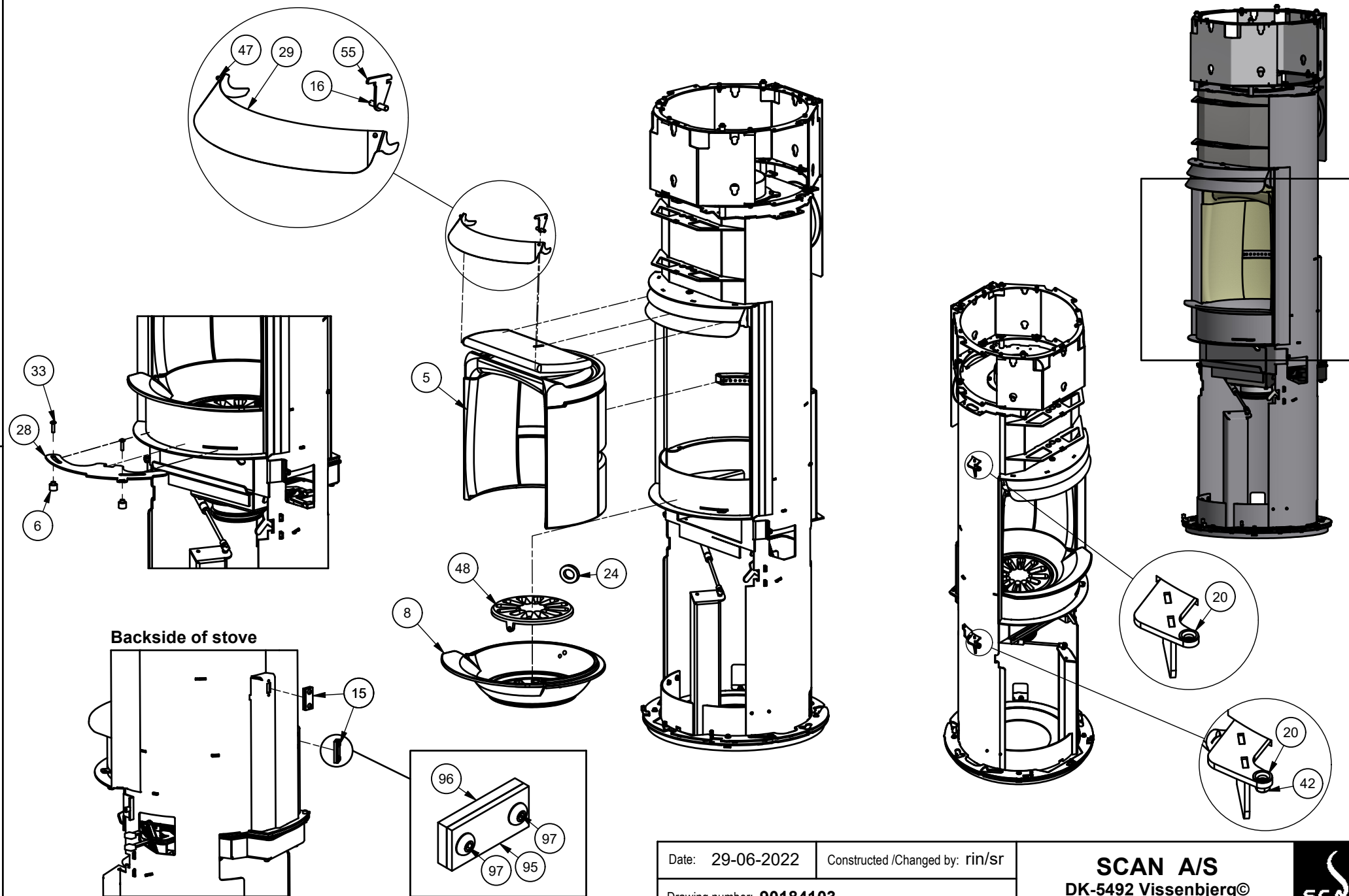
# Spare parts: Scan 84, Modern maxi



|                          |                                 |   |
|--------------------------|---------------------------------|---|
| Date: 29-06-2022         | Constructed /Changed by: rin/sr | <b>SCAN A/S</b><br>DK-5492 Vissenbjerg© |
| Drawing number: 90184103 |                                 |   |



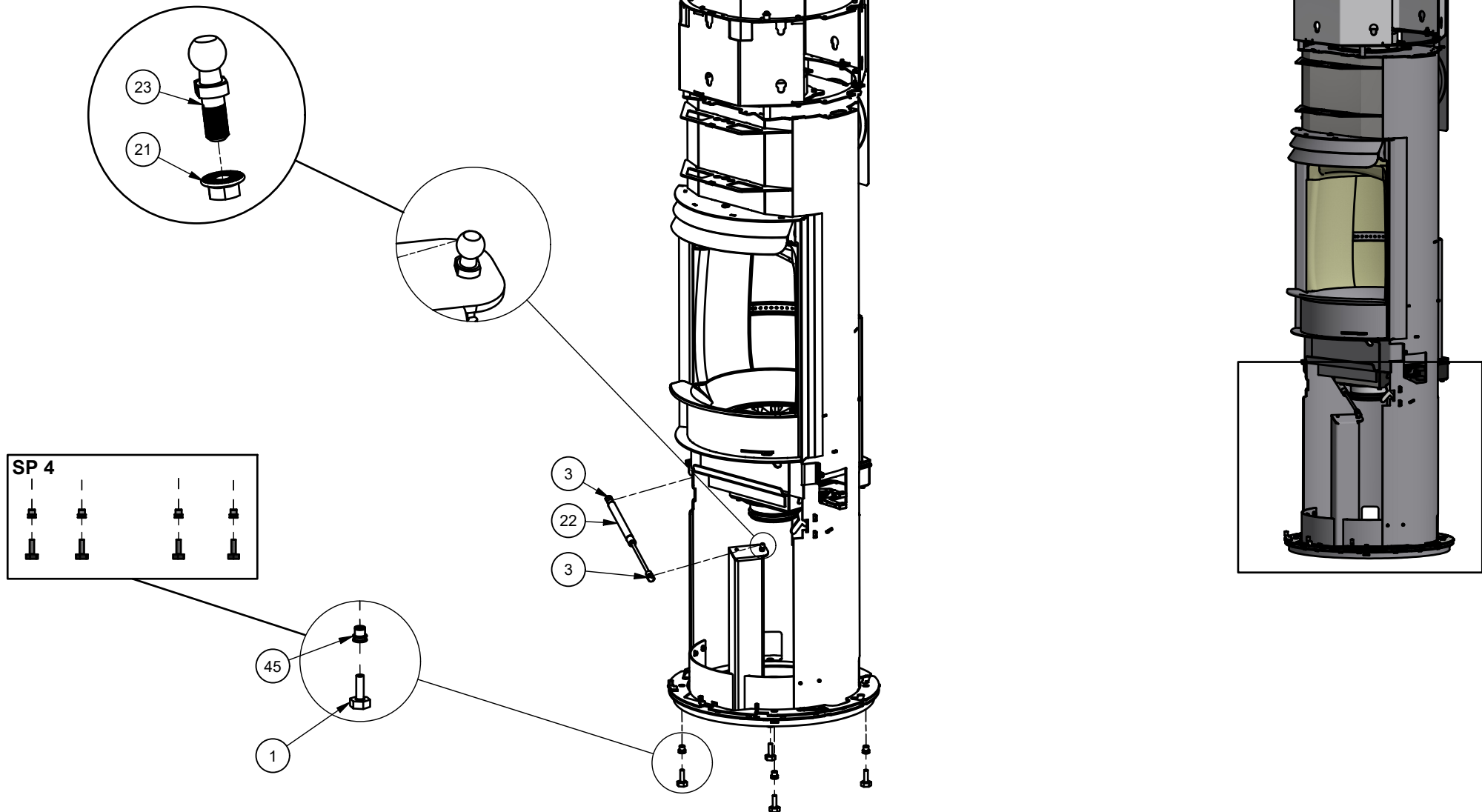
# Spare parts: Scan 84, Modern maxi



|                          |                                 |   |
|--------------------------|---------------------------------|---|
| Date: 29-06-2022         | Constructed /Changed by: rin/sr | <b>SCAN A/S</b><br>DK-5492 Vissenbjerg© |
| Drawing number: 90184103 |                                 |   |



# Spare parts: Scan 84, Modern maxi

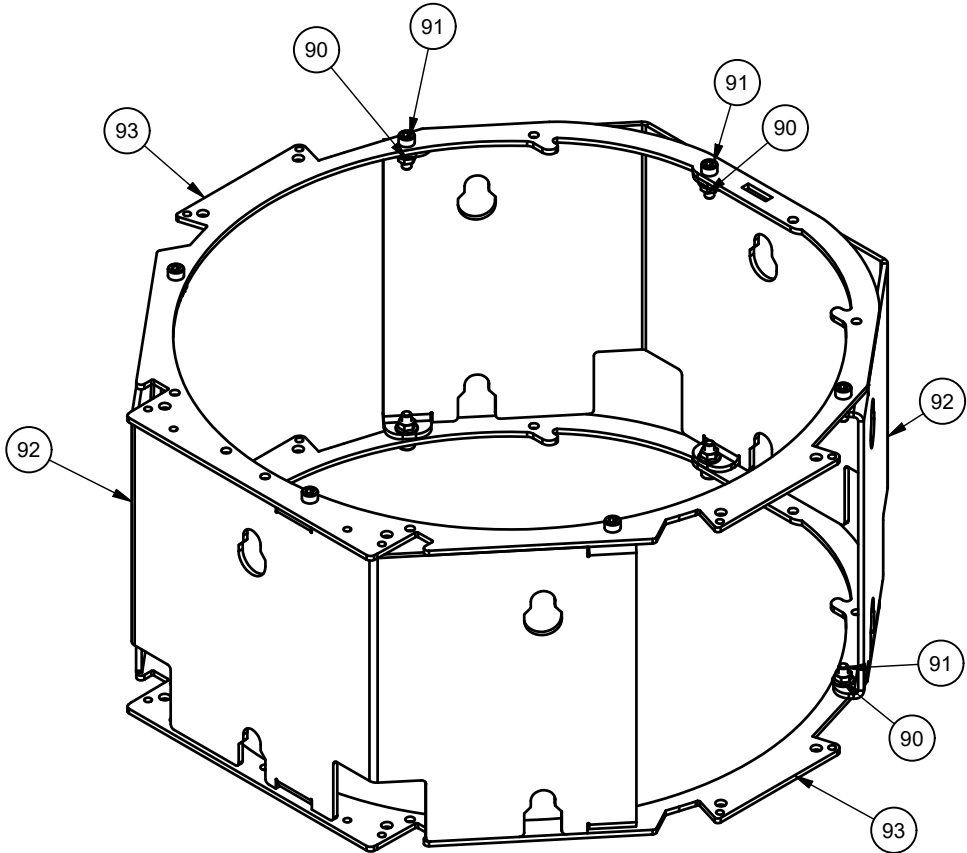


|                          |                                 |
|--------------------------|---------------------------------|
| Date: 29-06-2022         | Constructed /Changed by: rin/sr |
| Drawing number: 90184103 |                                 |

**SCAN A/S**  
DK-5492 Vissenbjerg©



Spare parts: Scan 84, Modern maxi



|                          |                                 |
|--------------------------|---------------------------------|
| Date: 29-06-2022         | Constructed /Changed by: rin/sr |
| Drawing number: 90184103 |                                 |

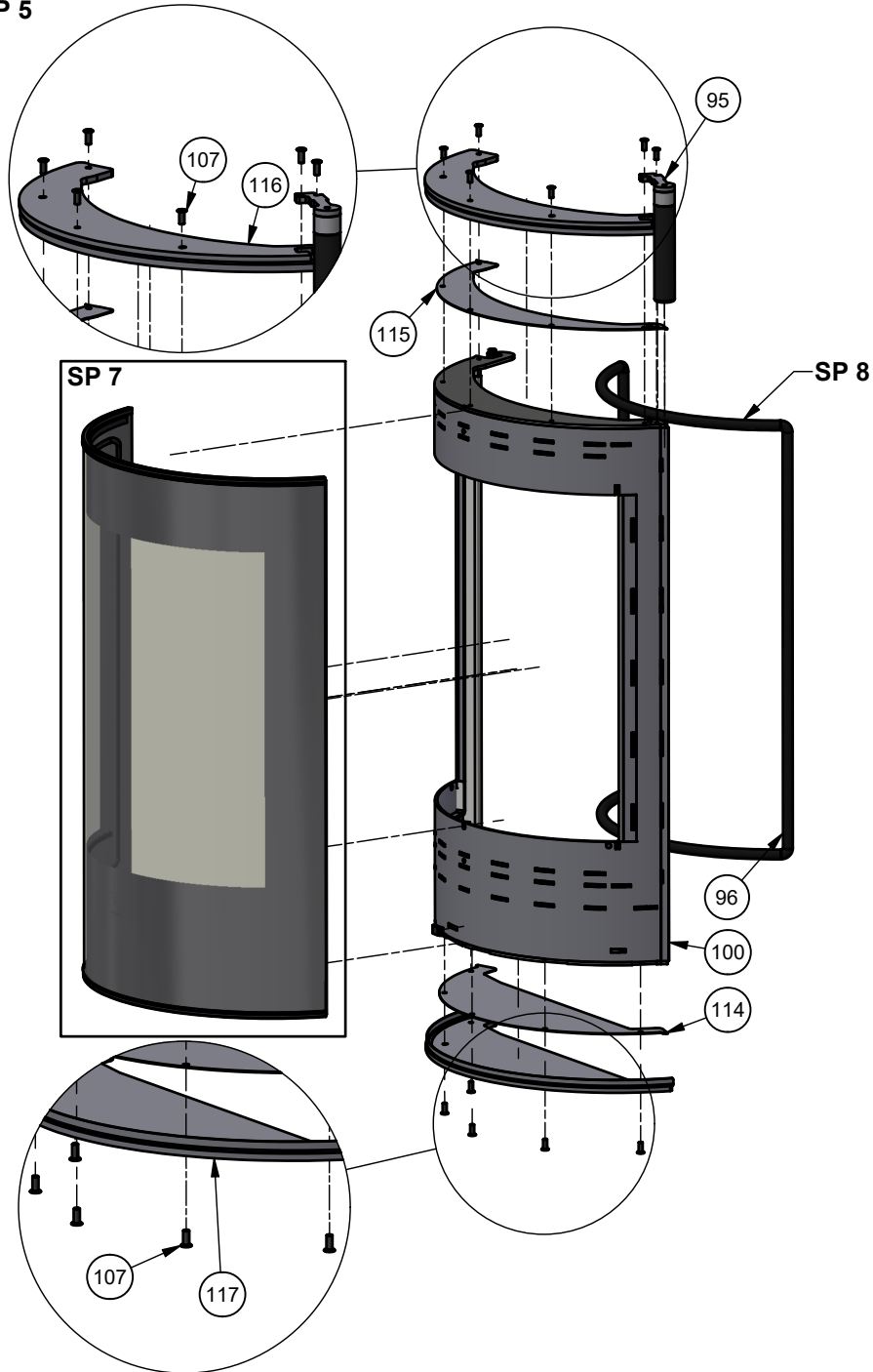
**SCAN A/S**  
DK-5492 Vissenbjerg©





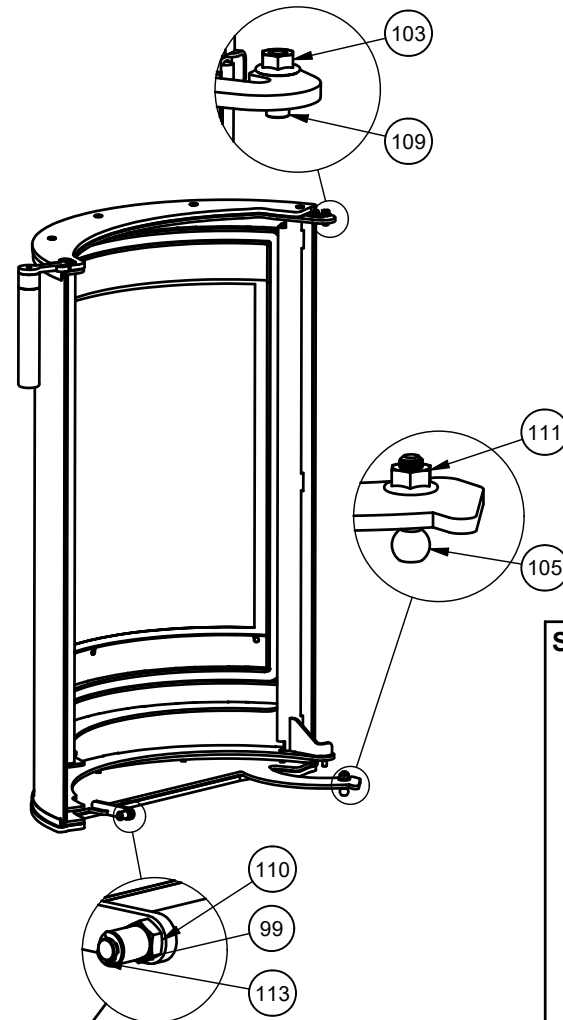
# Spare parts: Scan 84, Modern

SP 5

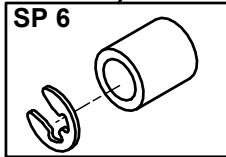


SP 7

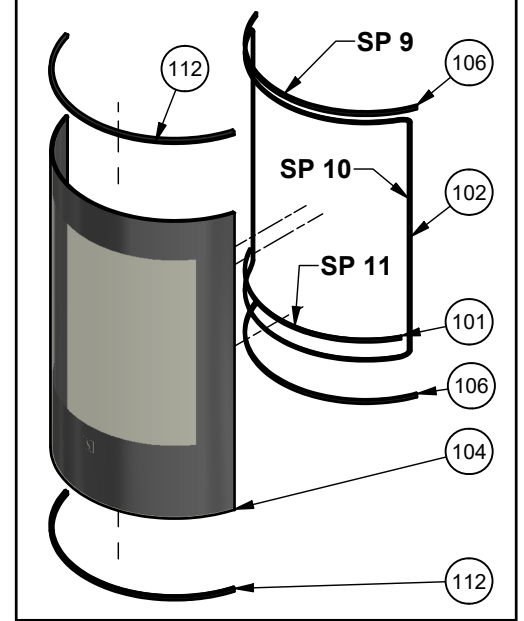
SP 8



SP 6



SP 7



Date: 29-06-2022

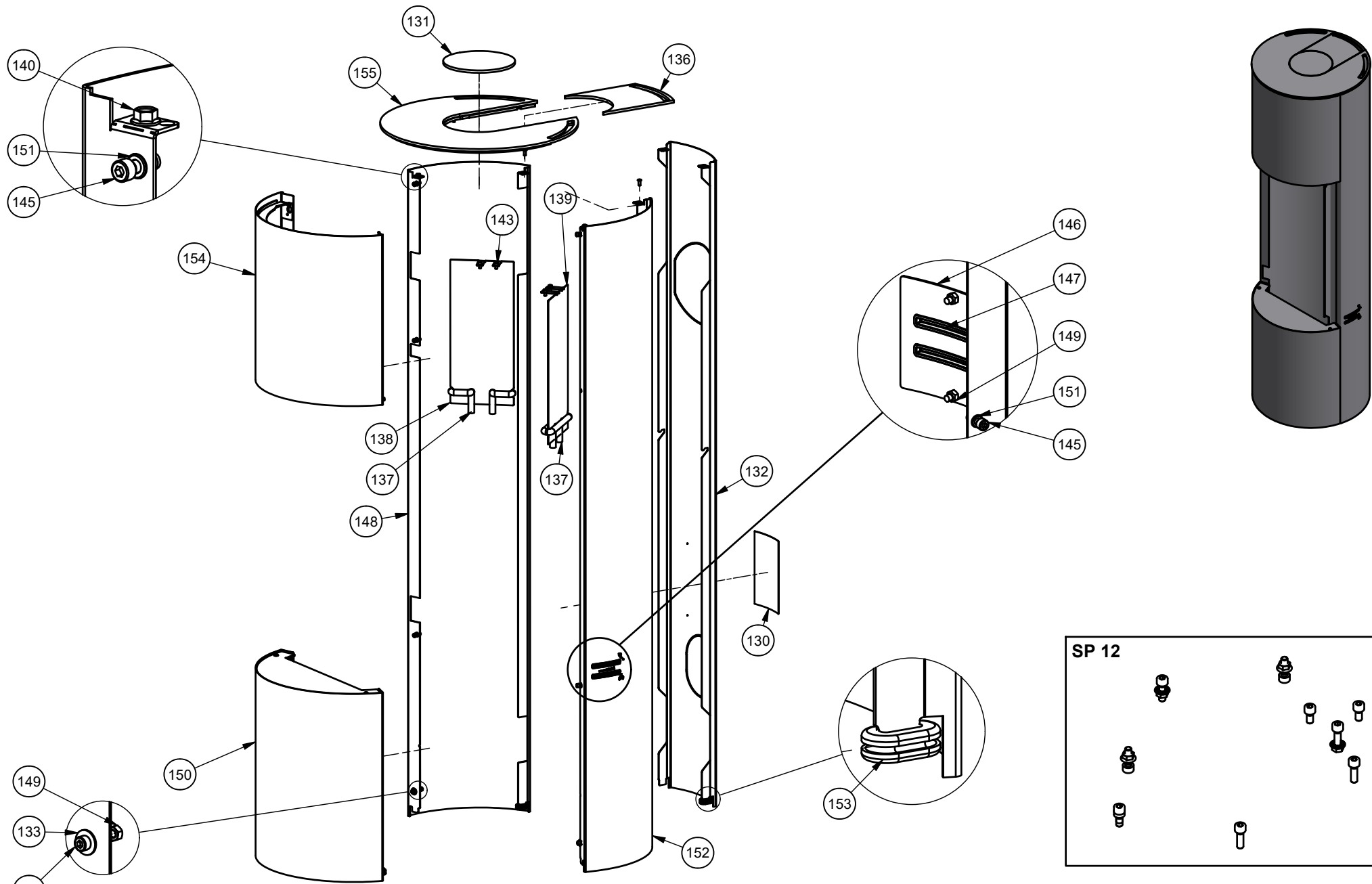
Constructed /Changed by: rin/sr

Drawing number: 90184103

**SCAN A/S**  
DK-5492 Vissenbjerg©

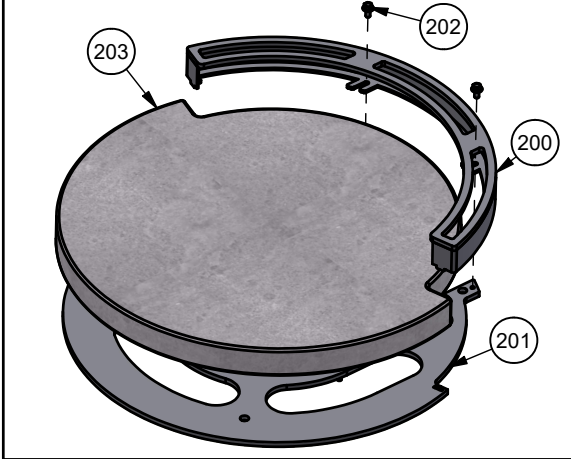


# Spare parts: Scan 84, Modern maxi

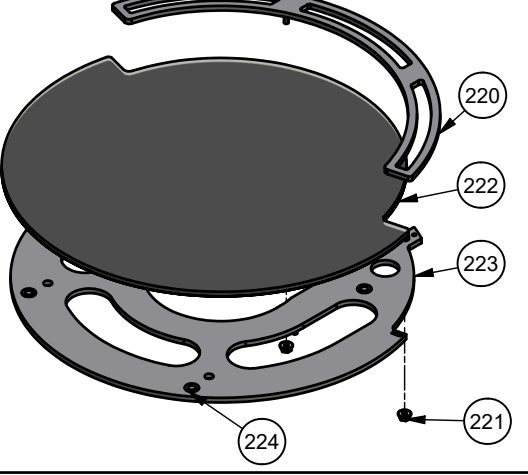


|                          |                                 |   |  |
|--------------------------|---------------------------------|---|--|
| Date: 29-06-2022         | Constructed /Changed by: rin/sr | <b>SCAN A/S</b><br>DK-5492 Vissenbjerg© |  |
| Drawing number: 90184103 |                                 |   |  |

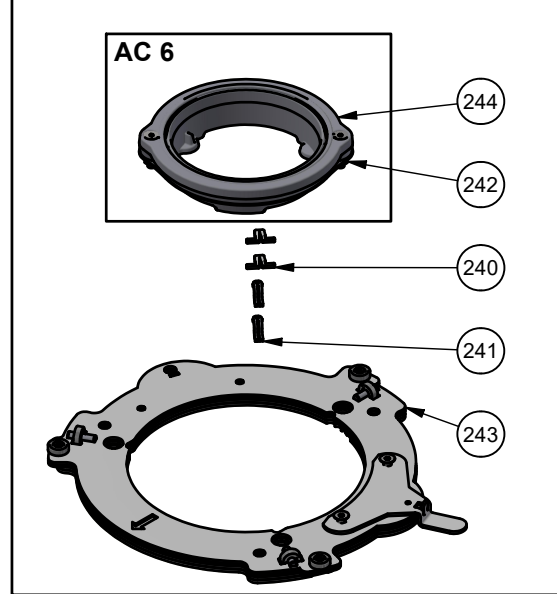
AC 1



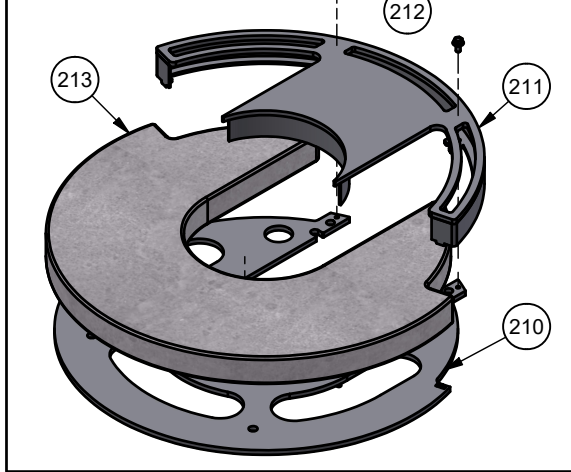
AC 3



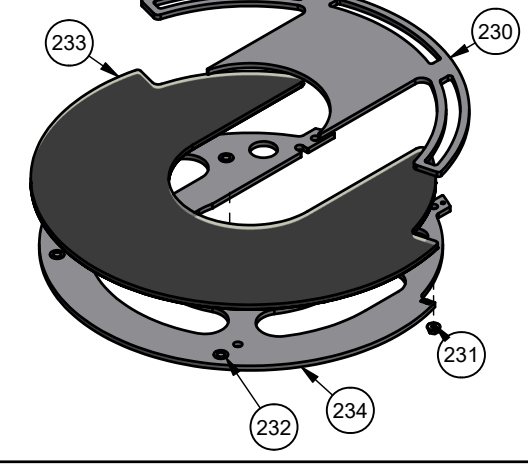
AC 5



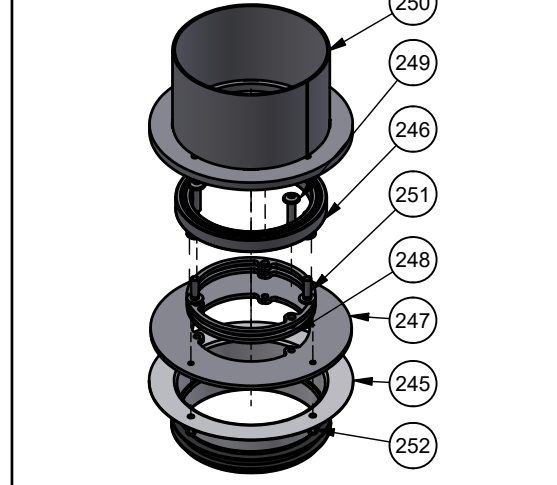
AC 2



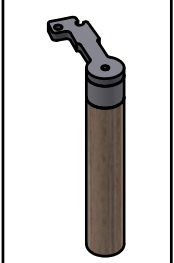
AC 4



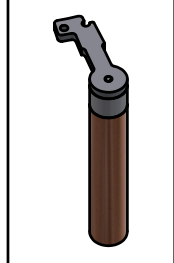
AC 7



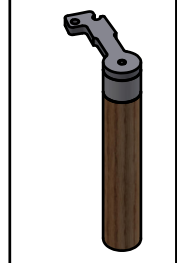
AC 8



AC 9



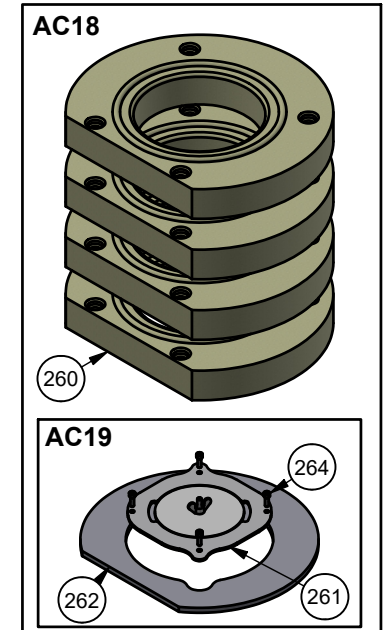
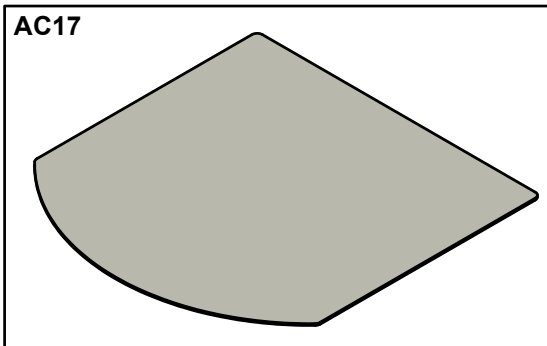
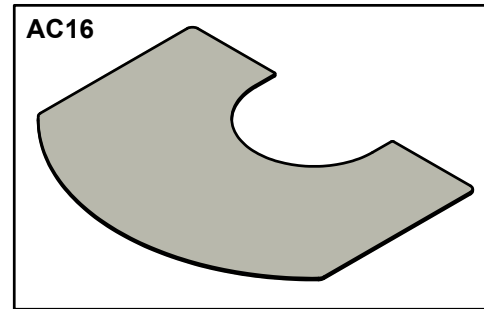
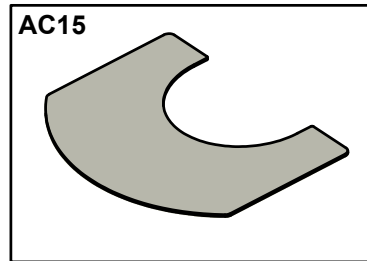
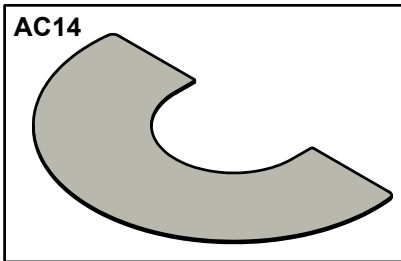
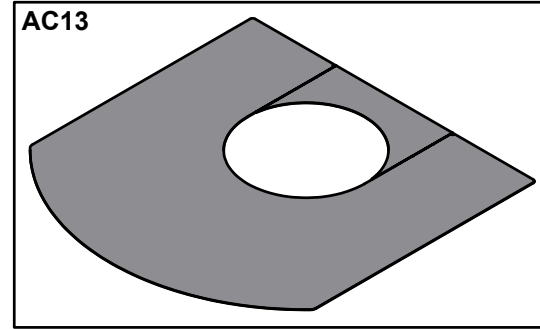
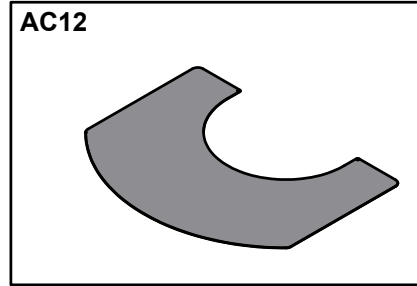
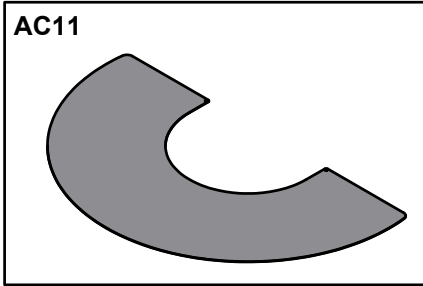
AC 10



|                          |                                 |
|--------------------------|---------------------------------|
| Date: 29-06-2022         | Constructed /Changed by: rin/sr |
| Drawing number: 90184103 |                                 |

**SCAN A/S**  
DK-5492 Vissenbjerg©





|                          |                                 |   |
|--------------------------|---------------------------------|---|
| Date: 29-06-2022         | Constructed /Changed by: rin/sr | <b>SCAN A/S</b><br>DK-5492 Vissenbjerg© |
| Drawing number: 90184103 |                                 |   |



# Spare parts: Scan 84, Modern maxi

## Korpus Scan 84-3/4

| POS. | ART. NO. | SALES NO. | NAME  | LEGTH | QTY. |
|------|----------|-----------|---|-------|------|
| 1    | 10045969 |           | Adjustment screw 19x19 - M8 x 30              |       | 4    |
| 2    |          | 51046852  | Ash drawer                                    |       | 1    |
| 3    | 10046005 |           | Ball head M6, Ø10 (item nr. 4597)             |       | 2    |
| 4    | 10007726 |           | Bearing, SKF 625 - 2Z/C3 (ø16xø5x5mm)         |       | 2    |
| 5    |          | 51046796  | Kit vermiculite                               |       | 1    |
| 6    | 10045475 |           | Bushing, handle for riddling grate            |       | 2    |
| 7    | 10059758 |           | bushings for high version                     |       | 4    |
| 8    |          | 51046797  | Castiron buttom                               |       | 1    |
| 9    | 10060387 |           | Closed combustion box                         |       | 1    |
| 10   | 10058191 |           | Closing lever for ash drawer                  |       | 1    |
| 11   | 10059986 |           | Combustion chamber, assembly                  |       | 1    |
| 12   | 12054891 |           | Connecting piece for tube inside. SC 83       |       | 1    |
| 13   |          | 51046851  | Conneting piece, welded                       |       | 1    |
| 14   |          | 51046855  | Cover for flue outlet                         |       | 2    |
| 15   |          |           | Cover plate for cleaning the burnchamber      |       | 3    |
| 16   | 10045971 |           | Cylinder pin ø6*30, stainless steel, A2       |       | 1    |
| 17   | 12059474 |           | ECO-Label, Scan 84                            |       | 1    |
| 18   | 12060996 |           | ECO-Label, Scan 84 UK                         |       | 1    |
| 19   | 10004954 |           | Spring washers, curved, ø8/Ø15x0,5 HFC 1245   |       | 1    |
| 20   | 10004960 |           | Flangebushing LEPCMF 06084 B                  |       | 2    |
| 21   | 10004953 |           | Flangenut w. ripp M5 (DIN 6923)               |       | 7    |
| 22   |          | 51046817  | Gas spring SC 83/84                           |       | 1    |
| 23   |          | 51046819  | Gasdamper attachment                          |       | 1    |
| 24   |          | 51046914  | Gasket for cast iron buttom                   |       | 1    |
| 25   | 10045966 |           | Gasket for combustion box, ceramic paper      |       | 1    |
| 26   |          | 51046849  | Gasket for connectingpiece                    |       | 2    |
| 27   | 10046125 |           | Gasket for fresh air adapter                  |       | 1    |
| 28   | 10059730 |           | Handle for riddling grate                     |       | 1    |
| 29   | 10046446 |           | Heat shield for air lib                       |       | 1    |
| 30   | 12061045 |           | Heat shield high version                      |       | 1    |
| 31   | 10004753 |           | Hex head screw with flange, M5 x 10, black    |       | 1    |
| 32   | 10004788 |           | Hex head screw with flange, M5 x 16, black    |       | 1    |
| 33   | 10004798 |           | Hex socket button head w. flange, M5 x 20     |       | 2    |
| 34   | 10004791 |           | Hex socket button head, M5 x 8 (quality 10.9) |       | 1    |
| 35   | 10004783 |           | Hex socket button head, M5 x 10               |       | 1    |
| 36   | 10059742 |           | Hex socket flat head, M5 x 12, black          |       | 2    |

Date: 29-06-2022

Constructed /Changed by: rin/sr

Drawing number: 90184103

**SCAN A/S**  
DK-5492 Vissenbjerg©



## Spare parts: Scan 84, Modern maxi

| POS. | ART. NO. | SALES NO. | NAME  | LEGTH | QTY. |
|------|----------|-----------|---|-------|------|
| 37   | 10004805 |           | Hex socket head cap, M5 x 6                   |       | 1    |
| 38   | 10004816 |           | Hex socket head cap, M5 x 10, black           |       | 9    |
| 39   | 10004838 |           | Hex socket head cap, M5 x 16, black           |       | 5    |
| 40   | 10004815 |           | Hex socket head cap, M5 x 20                  |       | 4    |
| 41   |          |           | High top assembly (soapstone)                 |       | 1    |
| 42   | 10007642 |           | Lock nut M5, metal                            |       | 2    |
| 43   | 10058190 |           | Locking device for door (dolphin)             |       | 1    |
| 44   | 10046276 |           | Pin for closingspring                         |       | 2    |
| 45   | 10045630 |           | Popnut M8 (for sheet thickness 3,0 - 5,5 mm)  |       | 4    |
| 46   | 10007617 |           | Poprivet M3,2 x 7,9                           |       | 4    |
| 47   | 10007632 |           | Poprivet ø4 x 8 stainless steel               |       | 2    |
| 48   |          | 51005837  | Riddling grate, upper part, drilled           |       | 1    |
| 49   |          | 51061421  | silicone button for damper (SH60)             |       | 2    |
| 50   | 12062226 |           | Silicone tube Ø8/Ø4x11                        |       | 3    |
| 51   | 20061015 |           | Silicone tube Ø8/Ø4*11                        |       | 1    |
| 52   | 10059983 |           | Silicone washer Ø15 x 8,5 x 0,5               |       | 4    |
| 53   | 10043740 |           | Sort glassnor ø14 (hård) til maxi varmeskjold |       | 1    |
| 54   |          | 51046818  | Spring ( SF-DF-3438-Lesjofors )               |       | 1    |
| 55   |          | 51046847  | Support piece for baffle plate                |       | 1    |
| 56   | 10004626 |           | Valve holder (center) Ø8/15x4,5               |       | 2    |
| 57   | 10046273 |           | Washer for dolphin lock                       |       | 1    |
| 58   | 10007709 |           | Washer, M5, wo. fazet FZB                     |       | 1    |
| 59   | 10003146 |           | ø100 Sleeve with flange                       |       | 1    |

### SP 1: Ash drawer: 51046852

| POS. | ART. NO. | SALES NO. | NAME                         | LEGTH | QTY. |
|------|----------|-----------|------------------------------|-------|------|
| 60   | 10058189 |           | Welded ash tray              |       | 1    |
| 61   | 10004744 |           | Black knitted glass rope, ø8 |       | 1    |

Date: 29-06-2022

Constructed /Changed by: rin/sr

Drawing number: 90184103

**SCAN A/S**  
DK-5492 Vissenbjerg©



# Spare parts: Scan 84, Modern maxi

## SP 2: Closed combustion box: 51061491

| POS. | ART. NO. | SALES NO. | NAME  | LEGTH | QTY. |
|------|----------|-----------|---|-------|------|
| 65   |          |           | Attachment for primary damper                 |       | 1    |
| 66   |          |           | Bottomplate for closed combustion box         |       | 1    |
| 67   | 10038025 |           | Bushing for springloaded damper Ø7,9x12,5     |       | 4    |
| 68   |          | 51061491  | Combustion box                                |       | 1    |
| 69   | 10046122 |           | Damper gasket SC 83                           |       | 2    |
| 70   | 10004954 |           | Spring washers, curved, ø8/Ø15x0,5 HFC 1245   |       | 2    |
| 71   | 10004953 |           | Flangenut w. ripp M5 (DIN 6923)               |       | 1    |
| 72   | 10046123 |           | Gasket for closed combustion box              |       | 1    |
| 73   | 10049333 |           | Hex socket head cap w. flange, M5 x 10, black |       | 4    |
| 74   | 10049335 |           | Hex socket head cap w. flange, M5 x 16, black |       | 4    |
| 75   | 10007710 |           | Hex socket head cap, M5 x 50, FZB (DIN 912)   |       | 4    |
| 76   | 10046398 |           | Pinol M5 x 25 (DIN 551/BN 427)                |       | 1    |
| 77   |          |           | Primary damper                                |       | 1    |
| 78   |          |           | Secondary damper                              |       | 1    |
| 79   |          |           | Spacer for primary damper                     |       | 1    |
| 80   |          |           | Spacer for secondary damper                   |       | 1    |
| 81   | 10004627 |           | Spacer washer Ø8/18x3,3                       |       | 2    |
| 82   | 10038031 |           | Spring for damper (Di=8,3 - Lo=12 - Dt=1)     |       | 2    |
| 83   | 10004626 |           | Valve holder (center) Ø8/15x4,5               |       | 2    |
| 85   | 10046397 |           | Washer ø5,3/20 x 1,5 (HV140)                  |       | 1    |
| 84   | 10008004 |           | Washer Ø8/Ø16*1.5 (DIN 125 A)                 |       | 2    |

## SP 3: Spare part kit, Locking mechanism: 51061261

### High top assembly:

| POS. | ART. NO. | SALES NO. | NAME                                | LEGTH | QTY. |
|------|----------|-----------|-------------------------------------|-------|------|
| 90   | 10004953 |           | Flangenut w. ripp M5 (DIN 6923)     |       | 12   |
| 91   | 10004838 |           | Hex socket head cap, M5 x 16, black |       | 12   |
| 92   | 12058862 |           | Spacer for soapstone maxi           |       | 2    |
| 93   | 12061037 |           | Spacer to cover parts SC 84 maxi    |       | 2    |

### Cover plate

| POS. | ART. NO. | SALES NO. | NAME  | LEGTH | QTY. |
|------|----------|-----------|---|-------|------|
| 95   | 10058090 |           | Cover plate                                   |       | 1    |
| 96   | 12055192 |           | Gasket to cover plate                         |       | 1    |
| 97   | 10004791 |           | Hex socket button head, M5 x 8 (quality 10.9) |       | 2    |

Date: 29-06-2022

Constructed /Changed by: rin/sr

Drawing number: 90184103

**SCAN A/S**  
DK-5492 Vissenbjerg©



## Spare parts: Scan 84, Modern maxi

### SP 4: Spare part kit, Set with 4 screws: 51046856

### SP 5: Modern door - Spare part: 51061466

| POS. | ART. NO. | SALES NO. | NAME                                  | LEGTH | QTY. |
|------|----------|-----------|---------------------------------------|-------|------|
| 95   |          | 51061380  | Assembly for wood handle, black       |       | 1    |
| 96   | 10043740 |           | Black cord Ø14 ( hard )               | 2,5 m | 1    |
| 97   | 10038105 |           | Black silicone 320 degr.              |       | 1    |
| 98   | 10046274 |           | Bottom hinge pin for door             |       | 1    |
| 99   | 10038034 |           | Bronze bushing, Ø6/Ø9*10              |       | 1    |
| 100  | 10059988 |           | Door, welded (modern)                 |       | 1    |
| 101  | 10048732 |           | Fiberglass robe w. tape Ø8            | 0,5 m | 1    |
| 102  | 10047432 |           | Fiberglass rope Ø6 w tape             | 2 m   | 1    |
| 103  | 10004953 |           | Flangenut w. ripp M5 (DIN 6923)       |       | 2    |
| 104  | 10059746 |           | Frontglass                            |       | 1    |
| 105  |          | 51046819  | Gasdamper attachment                  |       | 1    |
| 106  | 10007913 |           | Glass gasket w. glue, 8x3mm, black    | 0,6 m | 2    |
| 107  | 10059742 |           | Hex socket flat head, M5 x 12, black  |       | 11   |
| 108  | 10004799 |           | Hex socket set screws M5 x 5          |       | 1    |
| 109  | 10043926 |           | Hinge pin for door                    |       | 1    |
| 110  | 10046272 |           | Locking pin for door                  |       | 1    |
| 111  | 10007639 |           | M6 FL.nut Din 6923 galvanized Steel 8 |       | 1    |
| 112  | 10051950 |           | Silicone gasket for front glass       |       | 2    |
| 113  | 10038086 |           | Snap ring, DIN 6799 - Ø4 from magasin |       | 1    |
| 114  | 12061038 |           | support plate door bottom             |       | 1    |
| 115  | 12061028 |           | support plate door top                |       | 1    |
| 116  | 12061027 |           | Welded top for modern door            |       | 1    |
| 117  | 12061025 |           | welded glass holder botton            |       | 1    |

### SP 6: Spare part kit, Locking pin for door: 51049129

### SP 7: Spare part kit, Glass, Modern door: 51062177

| POS. | ART. NO. | SALES NO. | NAME                               | LEGTH | QTY. |
|------|----------|-----------|------------------------------------|-------|------|
| 101  | 10048732 |           | Fiberglass robe w. tape Ø8         | 0,5 m | 1    |
| 102  | 10047432 |           | Fiberglass rope Ø6 w tape          | 2 m   | 1    |
| 104  | 10059746 |           | Frontglass                         |       | 1    |
| 106  | 10007913 |           | Glass gasket w. glue, 8x3mm, black | 0,6 m | 2    |
| 112  | 10051950 |           | Silicone gasket for front glass    |       | 2    |

Date: 29-06-2022

Constructed /Changed by: rin/sr

Drawing number: 90184103

**SCAN A/S**  
DK-5492 Vissenbjerg©





## Spare parts: Scan 84, Modern maxi

**SP 8: Black cord Ø14 ( hard ), 3 m: 51044383**

**SP 9: Glass gasket w. glue, 8x3mm, black, 3 m: 51006569**

**SP 10: Fiberglass rope Ø6 w tape, 3 m: 51047489**

**SP 11: Fiberglass robe w. tape Ø8, 3 m: 51049791**

### Mantle

| POS. | ART. NO. | SALES NO. | NAME  | LEGTH | QTY. |
|------|----------|-----------|---|-------|------|
| 130  | 12059473 |           | Approval label, Scan 84                                   |       | 1    |
| 131  | 12061047 |           | Assembly, top cover for stove w. rear outlet, BLACK PAINT |       | 1    |
| 131  |          |           | Assembly, top cover for stove w. rear outlet, GRAY PAINT  |       | 1    |
| 131  |          |           | Assembly, top cover for stove w. rear outlet, WHITE PAINT |       | 1    |
| 132  |          | 51061434  | Back cover plate, high model, BLACK PAINT                 |       | 1    |
| 132  |          | 51061435  | Back cover plate, high model, GRAY PAINT                  |       | 1    |
| 132  |          | 51061436  | Back cover plate, high model, WHITE PAINT                 |       | 1    |
| 133  | 10060929 |           | Bushing for front cover bottom                            |       | 2    |
| 134  | 10059986 |           | Combustion chamber, assembly                              |       | 1    |
| 135  |          | 51046799  | Cover plate for lower front mantle                        |       | 1    |
| 136  | 12061048 |           | Cover plate, BLACK PAINT                                  |       | 1    |
| 136  |          |           | Cover plate, GRAY PAINT                                   |       | 1    |
| 136  |          |           | Cover plate, WHITE PAINT                                  |       | 1    |
| 137  | 10043740 |           | Glass gasket ø14 (hard), black                            | 0,4 m | 2    |
| 138  | 12061030 |           | Heat shield left  |       | 1    |
| 139  | 12061029 |           | Heat shield right   |       | 1    |
| 140  | 10004753 |           | Hex head screw with flange, M5 x 10, black                |       | 2    |
| 141  | 10004801 |           | Hex socket button head, M5 x 12, ISO 7380-1 steel 010.9   |       | 2    |
| 142  | 10059742 |           | Hex socket flat head, M5 x 12, black                      |       | 2    |
| 143  | 10004816 |           | Hex socket head cap, M5 x 10, black                       |       | 4    |
| 144  | 10004812 |           | Hex socket head cap, M5 x 12                              |       | 4    |
| 145  | 10004838 |           | Hex socket head cap, M5 x 16, black                       |       | 6    |
| 146  | 12061039 |           | holds plate for plastic insert                            |       | 1    |
| 147  |          | 51061420  | Insert for damperhandles                                  |       | 1    |
| 148  |          | 51061440  | Left cover plate, maxi, BLACK PAINT                       |       | 1    |
| 148  |          | 51061441  | Left cover plate, maxi, GRAY PAINT                        |       | 1    |
| 148  |          | 51061442  | Left cover plate, maxi, WHITE PAINT                       |       | 1    |
| 149  | 10007642 |           | Lock nut M5, metal  |       | 4    |
| 150  |          | 51061431  | Lower frontcover, maxi, assembly, BLACK PAINT             |       | 1    |
| 150  |          | 51061432  | Lower frontcover, maxi, assembly, GRAY PAINT              |       | 1    |

Date: 29-06-2022

Constructed /Changed by: rin/sr

Drawing number: 90184103

**SCAN A/S**  
DK-5492 Vissenbjerg©



## Spare parts: Scan 84, Modern maxi

## Accessories

| POS. | ART. NO. | SALES NO. | NAME  | LEGTH | QTY. |
|------|----------|-----------|---|-------|------|
| 150  |          | 51061433  | Lower frontcover, maxi, assembly, WHITE PAINT |       | 1    |
| 151  | 10046280 |           | Popnut M5x12,3                                |       | 6    |
| 152  |          | 51061443  | Right coverplate, maxi welded, BLACK PAINT    |       | 1    |
| 152  |          | 51061444  | Right coverplate, maxi welded, GRAY PAINT     |       | 1    |
| 152  |          | 51061445  | Right coverplate, maxi welded, WHITE PAINT    |       | 1    |
| 153  | 10045985 |           | Rubber grommet 19/27/33/3                     |       | 4    |
| 154  |          | 51061425  | Upper frontcover maxi, mounted, BLACK PAINT   |       | 1    |
| 154  |          | 51061426  | Upper frontcover maxi, mounted, GRAY PAINT    |       | 1    |
| 154  |          | 51061427  | Upper frontcover maxi, mounted, WHITE PAINT   |       | 1    |
| 155  |          | 51061452  | Welded parts for top plate, BLACK PAINT       |       | 1    |
| 155  |          | 51061453  | Welded parts for top plate, GRAY PAINT        |       | 1    |
| 155  |          | 51061454  | Welded parts for top plate, WHITE PAINT       |       | 1    |

**SP 12: Spare part kit, Sparepart kit Screws bolts: 51061518**

**AC 1: Compl. Top for soapstone rear: 51061131 BLACK PAINT**  
**Compl. Top for soapstone rear: 51061499 GRAY PAINT**  
**Compl. Top for soapstone rear: 51061500 WHITE PAINT**

| POS. | ART. NO. | SALES NO. | NAME                                       | LEGTH | QTY. |
|------|----------|-----------|--|-------|------|
| 202  | 10004753 |           | Hex head screw with flange, M5 x 10, black |       | 2    |
| 203  | 50060392 |           | soapstone top for rear exit                |       | 1    |
| 200  | 12061138 |           | Soapstone top, back exit welded            |       | 1    |
| 201  | 12061135 |           | Underlay plate for top plate, welded       |       | 1    |

**AC 2: Compl. Top for soapstone top outlet: 51061134 BLACK PAINT**  
**Compl. Top for soapstone top outlet: 51061505 GRAY PAINT**  
**Compl. Top for soapstone top outlet: 51061506 WHITE PAINT**

| POS. | ART. NO. | SALES NO. | NAME                                       | LEGTH | QTY. |
|------|----------|-----------|--|-------|------|
| 212  | 10004753 |           | Hex head screw with flange, M5 x 10, black |       | 2    |
| 213  | 50060391 |           | soapstone top                              |       | 1    |
| 211  | 12061139 |           | Soapstone top, top exit welded             |       | 1    |
| 210  | 12061135 |           | Underlay plate for top plate, welded       |       | 1    |

Date: 29-06-2022

Constructed /Changed by: rin/sr

Drawing number: 90184103

**SCAN A/S**  
**DK-5492 Vissenbjerg®**



**AC 3: Compl. Topplate for glass rear: 51061132 BLACK PAINT**  
**Compl. Topplate for glass rear: 51061501 GRAY PAINT**  
**Compl. Topplate for glass rear: 51061502 WHITE PAINT**

| POS. | ART. NO. | SALES NO. | NAME                                  | LEGTH | QTY. |
|------|----------|-----------|---------------------------------------|-------|------|
| 220  | 12061137 |           | bolt welded top, back exit            |       | 1    |
| 221  | 10007639 |           | M6 FL.nut Din 6923 galvanized Steel 8 |       | 2    |
| 222  | 10059991 |           | W.glass rear top                      |       | 1    |
| 223  | 12061135 |           | Underlay plate for top plate, welded  |       | 1    |
| 224  | 10059983 |           | Silicone washer Ø15 x 8,5 x 0,5       |       | 4    |

**AC 4: Compl. Topplate for glass top outlet: 51061133 BLACK PAINT**  
**Compl. Topplate for glass top outlet: 51061503 GRAY PAINT**  
**Compl. Topplate for glass top outlet: 51061504 WHITE PAINT**

| POS. | ART. NO. | SALES NO. | NAME                                  | LEGTH | QTY. |
|------|----------|-----------|---------------------------------------|-------|------|
| 230  | 12061136 |           | bolt welded top exit plate            |       | 1    |
| 231  | 10007639 |           | M6 FL.nut Din 6923 galvanized Steel 8 |       | 2    |
| 232  | 10059983 |           | Silicone washer Ø15 x 8,5 x 0,5       |       | 4    |
| 233  | 10059992 |           | Top plate glass                       |       | 1    |
| 234  | 12061135 |           | Underlay plate for top plate, welded  |       | 1    |

**AC 5: Revolving kit: 51046363**

| POS. | ART. NO. | SALES NO. | NAME                             | LEGTH | QTY. |
|------|----------|-----------|----------------------------------|-------|------|
| 240  | 20046724 |           | Lock for revolving base. SCAN 83 |       | 2    |
| 241  | 12060562 |           | Lock for revolving base. SCAN 84 |       | 2    |
| 242  | 10007990 |           | Nut M8, Black                    |       | 2    |
| 243  | 10046744 |           | Revolving base, mounted          |       | 1    |
| 244  | 12022058 |           | Revolving connecting piece       |       | 1    |

**AC 6: Revolving connecting piece: 51045366**

**AC 7: Fresh air adapter: 51061392**

| POS. | ART. NO. | SALES NO. | NAME   | LEGTH | QTY. |
|------|----------|-----------|--|-------|------|
| 245  | 10003146 |           | ø100 Sleeve with flange  |       | 1    |
| 246  | 10061112 |           | Deep groove ball bearings single row with two low-friction seals SKF |       | 1    |
| 247  |          |           | Connector piece for second fresh air sleeve                          |       | 1    |
| 248  |          |           | Distance ring for fresh air adapter                                  |       | 2    |
| 249  | 10004798 |           | Hex socket button head w. flange, M5 x 20                            |       | 3    |
| 250  |          |           | Welded parts for fresh air adapter                                   |       | 1    |
| 251  | 10004835 |           | Hex socket button head w. flange, M5 x 16                            |       | 4    |
| 252  | 10007617 |           | Poprivet M3,2 x 7,9  |       | 4    |

Date: 29-06-2022

Constructed /Changed by: rin/sr

Drawing number: 90184103

**SCAN A/S**  
**DK-5492 Vissenbjerg©**



|        |   |          |
|--------|---|----------|
| AC 8:  | Wood handle, white oak                  | 51061103 |
| AC 9:  | Wood handle, mocca oak                  | 51061104 |
| AC 10: | Wood handle, golden oak                 | 51061105 |
| AC 11: | Small shaped floor plate, steel         | 51046364 |
| AC 12: | Small shaped floor plate, corner, steel | 51046365 |
| AC 13: | Large floor plate, steel                | 51046366 |
| AC 14: | Small shaped floor plate, glass         | 50046311 |
| AC 15: | Small shaped floor plate, corner, glass | 50046315 |
| AC 16: | Large shaped floor plate, glass         | 50046313 |
| AC 17: | Large floor plate, glass                | 50046312 |

**AC 18: Heat accumulating stones: 50046310**

| POS. | ART. NO. | SALES NO. | NAME                                | LEGTH | QTY. |
|------|----------|-----------|-------------------------------------|-------|------|
| 260  |          |           | Samling af varme ak sten            |       | 1    |
| 261  |          |           | Samling af dæksel i dæksel          |       | 1    |
| 262  |          |           | Afstands ring til varmeakk. sten    |       | 1    |
| 263  |          | 51046849  | Gasket for connectingpiece          |       | 1    |
| 264  | 10004838 |           | Hex socket head cap, M5 x 16, black |       | 4    |

**AC 19: Steel parts for Heat accumulating stones: 51046904**

Date: 29-06-2022

Constructed /Changed by: rin/sr

Drawing number: 90184103

**SCAN A/S**  
DK-5492 Vissenbjerg©

